



Belt Drive Backwardly Inclined SWSI Centrifugal Blower

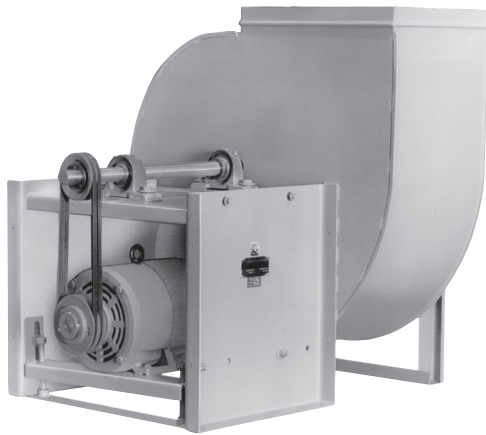
Model 3000 Series

Est. 1938

Includes the following Model/Options					
3000C1	Class 1 Standard Fan	3000C1H	Class 1 Hurricane Fan	Miami Dade County Approved	
3000C2	Class 2 Standard Fan	3000C2H	Class 2 Hurricane Fan	Miami Dade County Approved	



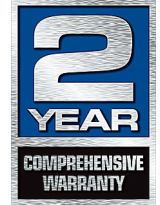
Model 3000 is a belt drive backwardly inclined single thickness blades designed for high efficiency and low sound output. The 3000 utility set is a heavy duty fan with capacities up to 81,504 CFM and up to 11" static pressure. Available in Class 1 and 2 design both Clockwise CW rotation and Counter-Clockwise CCW rotation, and in seven discharge positions. The maximum operating temperature for the 3000 series is 300°F. The 3000 heavy duty design insures years of maintenance free operations.



Construction Features

Housing

- Heavy duty steel housing with lock-formed construction
- Mechanically seamed construction
- Aerodynamically designed housing with high efficiency inlet
- Design allows for clockwise or counterclockwise rotation with changing impeller
- Heavy gauge steel coated in charcoal baked enamel with UV inhibitors
- Fully gasketed and bolted access door on fan scroll is standard
- Corrosion resistant fasteners



Backward Inclined Centrifugal Wheel

- Flat blade steel wheels welded to back plate and rims
- Non-overloading design for safe operation
- Statically and dynamic balanced to AMCA Standard 204-5

Bearings

- Heavy duty self-aligning regreaseable ball bearings in a cast pillow block housing
- Rated at L50 life of 200,000
- 2 year limited warranty

Drive Assembly

- Adjustable pitch motor sheave
- Cast iron drives sized for 150% of drive horsepower
- Static free, oil and heat resistant belts

Motor and Drive Support Base

- Continuous duty motors mounted on heavy duty steel base
- Base adjustable for easy belt take-up and slotted to accept various motor frames without redrilling

Options/Accessories

- Field rotatable up to seven discharge positions (sizes 12-37 only)
- Aluminum Construction
- Dampers
- Continuous Welded Housing
- Weather Cover/Belt Guard
- Housing Drain
- Vibration Isolators
- Inlet/Outlet Guard
- Inlet and Outlet Flanges
- Inlet and Outlet Companion Flanges
- Spark Resistant Construction (AMCA B)
- Coatings
- Shaft Seal
- Extended Lube Lines
- Disconnect Switch
- SE Option U.L. Listed "Power Ventilator for Smoke Control Systems" (Pending)

Blowers and General Ventilation

3000C1H & 3000C2H

Class 1 and 2 Hurricane Rated Option for 3000 Model

- Hurricane model is available in sizes 3012 through 3037
- Model 3000 high wind and hurricane fans are certified as a complete system
- Models are certified to all three Miami-Dade procedures for static loading, missile impact and cycle loading.
- Heavy-duty, continuously welded steel housing
- Secure internal support and flanged discharge
- Available in 7 discharge positions on all sizes
- Clockwise and counterclockwise impeller rotation
- Air and Sound Performance - same as 3000 model
- Dimensions - Same as 3000 model
- For submittals, detail air and sound information and available options and accessories, please go online to FANTastic® Commercial www.acmefan.com



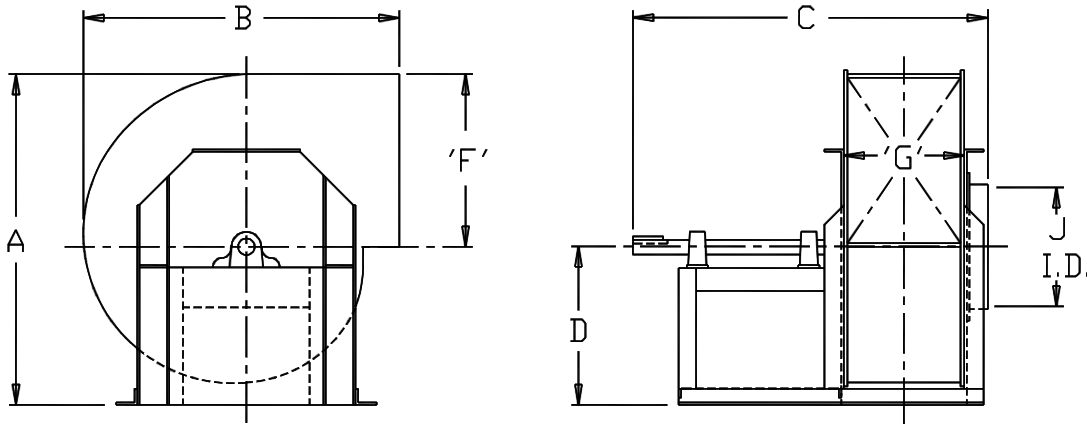
Acme Engineering & Manufacturing Corporation certifies that the models shown herein are licensed to bear the AMCA seal. The ratings shown are based on tests and procedures performed in accordance with AMCA Publication 211 and AMCA Publication 311 and comply with the requirements of the AMCA Certified Ratings Program.



Belt Drive Backwardly Inclined SWSI Centrifugal Blower

Model 3000 Series

Est. 1938

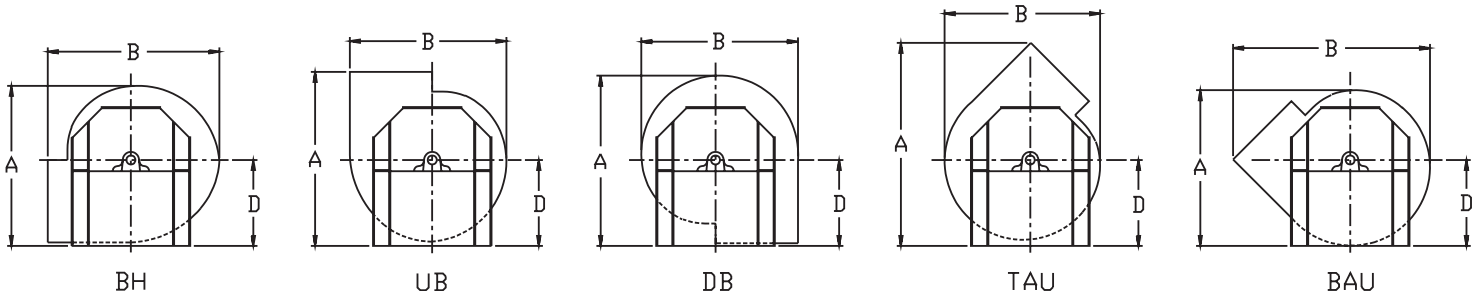


Clockwise Top Horizontal (TH)
Optional Counter Clockwise dimensions are equal and opposite

Model	DIMENSIONS																				Est. Wt. CL/1	Est. Wt. CL/2		
	A						B						C	D						F			G	J
	TH	BH	UB	DB	TAU	BAU	TH	BH	UB	DB	TAU	BAU		TH	BH	BAU	UB	TAU	DB					
3012	34 3/4	32	33 1/4	34	39	31 3/8	24 1/4	24 1/4	23 3/4	23 3/4	22 7/8	29	33 5/8	21 1/2	21 1/2	21 1/2	21 1/2	21 1/2	21 1/2	13	9 3/4	13 1/2	150	160
3013	36 1/8	33	34	35 1/4	40 1/2	32 3/8	26 3/8	26 3/8	26 1/8	26 1/8	25 1/8	31 5/8	35 1/4	21 1/2	21 1/2	21 1/2	21 1/2	21 1/2	21 1/2	14 1/4	10 7/8	14 3/4	170	180
3015	37 5/8	34 1/4	35 1/4	36 3/4	42 3/8	33 1/2	29	29	29	29	27 7/8	34 7/8	35 1/2	21 1/2	21 1/2	21 1/2	21 1/2	21 1/2	21 1/2	15 7/8	11 3/4	16 1/4	205	225
3016	39 1/4	33 1/2	36 1/4	38 1/4	44 1/8	34 3/4	31 1/2	31 1/2	31 3/4	31 3/4	30 5/8	38 1/8	37 1/8	21 1/2	21 1/2	21 1/2	21 1/2	21 1/2	21 1/2	17 3/8	13 1/8	18 1/4	240	260
3018	43 5/8	39 1/2	40	42 5/8	48 3/4	38 5/8	34 3/8	34 3/8	34 1/2	35 1/8	33 5/8	41 3/4	40 3/4	24	24	24	24	24	24	19 1/4	14 1/2	20	261	275
3020	45 3/8	41	41 1/8	44 1/4	51	40	37 3/8	37 3/8	38 3/8	38 1/4	36 7/8	45 5/8	42 1/4	24	24	24	24	24	24	21 1/8	16	21 3/4	314	330
3022	49 1/4	44 3/8	44 1/4	48	55 1/4	43 1/4	41 1/8	41 1/8	42 5/8	42 5/8	41	50 3/8	44	25 1/2	25 1/2	25 1/2	25 1/2	25 1/2	25 1/2	23 1/2	17 5/8	24	361	380
3024	55 1/8	49 5/8	49 1/4	53 3/4	61 5/8	48 1/2	45	45	46 7/8	46 7/8	45	55 1/4	49 1/2	29	29	29	29	29	29	25 3/4	19 1/2	27	494	520
3027	59 3/4	53 3/4	53 1/4	58 1/8	66 7/8	52 3/8	49 3/8	49 3/8	51 1/2	51 1/2	49 1/2	60 3/4	51 7/8	31	31	31	31	31	31	28 1/2	21 1/2	29 1/2	551	580
3030	66	59 1/4	58 1/4	64 1/8	73 1/2	57 3/4	54 3/8	54 3/8	57 1/8	57 1/8	55	67 1/8	53 7/8	34	34	34	34	34	34	31 5/8	23 5/8	32 1/2	736	775
3033	77 3/8	69 3/4	68 5/8	75 3/8	85 1/2	68 1/8	59 1/2	59 1/2	62 7/8	62 7/8	60 3/8	73 5/8	65 5/8	42	42	42	42	42	42	34 3/4	26 1/4	35 1/2	903	950
3037	81	72 7/8	71 1/8	78 3/4	89 7/8	71 1/8	65 1/2	65 1/2	69 1/2	69 1/2	66 3/4	81 1/4	69 5/8	42 1/4	42 1/4	42 1/4	42 1/4	42 1/4	42 1/4	38 1/2	28 7/8	39	998	1050
3040	80 1/8	80 1/4	75 3/4	72 1/2	n/a	n/a	72 3/4	72 3/4	77 3/8	77 3/8	n/a	n/a	73 1/4	37	46	n/a	43 3/4	n/a	31 3/4	42 3/4	32	43 1/2	1283	1350
3045	88 1/8	88 1/4	83	80	n/a	n/a	80	80	85 3/8	85 3/8	n/a	n/a	77 1/2	40 1/2	50 1/2	n/a	48	n/a	35	47 1/4	35 1/4	47 3/4	1454	1530
3049	96 5/8	96 3/4	90 3/4	87 3/4	n/a	n/a	87 3/4	87 3/4	93 3/4	93 3/4	n/a	n/a	82	44 1/4	55 1/4	n/a	52 1/2	n/a	38 1/4	51 7/8	39	52 1/2	1781	1875
3054	106 5/8	106 3/4	99 1/2	96 5/8	n/a	n/a	96 5/8	96 5/8	103 3/4	103 3/4	n/a	n/a	87 1/2	48 3/4	61	n/a	57 1/2	n/a	42	57 1/2	43	58 1/4	2109	2220

Dimensions are shown in inches.
Weights are shown in pounds.
Weights shown are less motor and drives.

Angular Discharge Dimensions



Clockwise

SILENTVANE™



SIZE 3012 SINGLE WIDTH SINGLE INLET

MAXIMUM CLASS OPERATING RPM FAN TEMPERATURE

Wheel Diameter	12.25 inches	311 mm
Wheel Circumference	3.21 feet	.9784 m
Inlet Diameter/Area	13.5 inches dia./ .99 sq. ft.	343 mm/.0920 m ²
Outlet Size/Area	12.79 x 9.60 inches I.D./ .85 sq. ft.	325 x 244 mm/.0790 m ²
Tip Speed	3.21 x RPM ft./minute	.9779 x RPM m/minute
Maximum BHP	.066 x (RPM ÷ 1000) ³ BHP	.0492 x (RPM ÷ 1000) ³ kW

SIZE 3012	-20° to 300°F -29° to 149°C
CLASS I	3467
CLASS II	4523

Blowers and General Ventilators

VOL CFM	OV FPM	¼" SP		⅜" SP		½" SP		⅝" SP		¾" SP		7/8" SP		1" SP		1¼" SP		1½" SP		1¾" SP	
		RPM	BHP	RPM	BHP	RPM	BHP	RPM	BHP	RPM	BHP	RPM	BHP	RPM	BHP	RPM	BHP	RPM	BHP	RPM	BHP
688	800	926	0.06	1007	0.07	1079	0.09	1152	0.11	1220	0.13	1285	0.15	1350	0.17						
774	900	1006	0.07	1076	0.09	1146	0.11	1210	0.13	1276	0.15	1337	0.17	1395	0.19	1511	0.23				
860	1000	1088	0.09	1150	0.11	1215	0.13	1277	0.15	1335	0.17	1394	0.19	1451	0.21	1556	0.26	1661	0.31		
946	1100	1171	0.11	1230	0.13	1285	0.15	1346	0.17	1402	0.19	1455	0.22	1507	0.24	1612	0.29	1707	0.34	1803	0.40
1032	1200	1256	0.13	1312	0.15	1364	0.17	1416	0.20	1470	0.22	1522	0.25	1572	0.27	1668	0.33	1762	0.38	1850	0.44
1118	1300	1342	0.15	1395	0.18	1444	0.20	1491	0.23	1540	0.26	1591	0.28	1639	0.31	1729	0.37	1819	0.42	1905	0.48
1204	1400	1428	0.18	1479	0.21	1526	0.24	1571	0.26	1614	0.29	1661	0.32	1708	0.35	1796	0.41	1878	0.47	1962	0.53
1290	1500	1515	0.22	1564	0.25	1609	0.28	1653	0.30	1694	0.33	1734	0.36	1778	0.39	1864	0.46	1944	0.52	2020	0.58
1376	1600	1602	0.26	1650	0.29	1693	0.32	1735	0.35	1775	0.38	1813	0.41	1851	0.44	1933	0.51	2012	0.57	2086	0.64
1462	1700	1691	0.30	1736	0.33	1778	0.36	1818	0.40	1857	0.43	1894	0.46	1930	0.49	2003	0.56	2081	0.63	2154	0.70
1548	1800	1779	0.35	1823	0.38	1864	0.42	1903	0.45	1940	0.48	1976	0.52	2011	0.55	2077	0.62	2150	0.70	2222	0.77
1634	1900	1869	0.40	1910	0.43	1950	0.47	1987	0.51	2023	0.54	2058	0.58	2092	0.62	2157	0.69	2221	0.77	2291	0.84
1720	2000	1958	0.46	1998	0.49	2036	0.53	2073	0.57	2108	0.61	2142	0.65	2174	0.69	2238	0.76	2298	0.84	2362	0.92
1892	2200	2138	0.59	2175	0.63	2211	0.67	2245	0.72	2279	0.76	2310	0.80	2341	0.84	2401	0.93	2458	1.01	2513	1.10
2064	2400	2320	0.75	2354	0.79	2387	0.84	2419	0.89	2451	0.93	2481	0.98	2511	1.03	2567	1.12	2622	1.21	2674	1.30
2236	2600	2502	0.93	2534	0.98	2565	1.03	2595	1.08	2625	1.13	2654	1.19	2682	1.24	2736	1.33	2788	1.43	2838	1.53
2408	2800	2685	1.15	2714	1.20	2744	1.25	2772	1.31	2800	1.36	2828	1.42	2855	1.47	2906	1.58	2956	1.69	3004	1.79
2580	3000	2868	1.39	2896	1.45	2924	1.51	2950	1.57	2977	1.62	3003	1.68	3029	1.74	3079	1.86	3126	1.97	3172	2.09
2752	3200	3052	1.67	3078	1.74	3104	1.80	3130	1.86	3155	1.92	3180	1.98	3204	2.04	3252	2.17	3298	2.30	3341	2.41
2924	3400	3236	1.99	3261	2.06	3286	2.12	3310	2.19	3334	2.25	3357	2.32	3380	2.38	3426	2.52	3470	2.65	3513	2.78
3096	3600	3421	2.35	3445	2.42	3468	2.48	3491	2.55	3514	2.62	3536	2.69	3558	2.76	3601	2.90	3644	3.04	3685	3.18

VOL CFM	OV FPM	2" SP		2½" SP		3" SP		3½" SP		4" SP		4½" SP		5" SP		5½"		6" SP		6½" SP	
		RPM	BHP	RPM	BHP	RPM	BHP	RPM	BHP	RPM	BHP	RPM	BHP	RPM	BHP	RPM	BHP	RPM	BHP	RPM	BHP
946	1100	1894	0.46																		
1032	1200	1938	0.50																		
1118	1300	1987	0.54	2148	0.67																
1204	1400	2042	0.60	2192	0.73	2342	0.87														
1290	1500	2099	0.65	2247	0.79	2386	0.94	2524	1.09												
1376	1600	2157	0.71	2302	0.86	2437	1.01	2567	1.16	2696	1.33										
1462	1700	2223	0.78	2359	0.93	2492	1.08	2616	1.24	2739	1.41	2860	1.58								
1548	1800	2290	0.85	2418	1.00	2548	1.17	2671	1.33	2786	1.50	2903	1.68	3017	1.86	3126	2.05				
1634	1900	2359	0.92	2484	1.09	2605	1.25	2727	1.42	2841	1.60	2949	1.78	3061	1.97	3169	2.16	3273	2.36		
1720	2000	2428	1.01	2552	1.17	2667	1.35	2783	1.52	2897	1.71	3004	1.89	3107	2.08	3213	2.28	3316	2.48	3415	2.69
1892	2200	2568	1.19	2688	1.37	2800	1.55	2906	1.74	3010	1.93	3116	2.13	3217	2.33	3314	2.54	3406	2.75	3502	2.96
2064	2400	2725	1.39	2828	1.59	2937	1.78	3040	1.98	3138	2.19	3231	2.40	3329	2.61	3425	2.83	3517	3.05	3605	3.27
2236	2600	2886	1.63	2979	1.83	3077	2.04	3177	2.26	3272	2.47	3363	2.69	3451	2.92	3538	3.15	3629	3.38	3716	3.62
2408	2800	3050	1.90	3139	2.11	3224	2.33	3316	2.56	3409	2.79	3499	3.02	3584	3.26	3667	3.50	3747	3.74	3829	3.99
2580	3000	3216	2.20	3302	2.43	3384	2.66	3462	2.90	3549	3.14	3636	3.38	3720	3.63	3801	3.88	3879	4.14	3955	4.40
2752	3200	3384	2.53	3466	2.78	3545	3.02	3621	3.27	3695	3.52	3776	3.78	3858	4.04	3937	4.31	4014	4.57	4088	4.84
2924	3400	3554	2.91	3633	3.16	3709	3.42	3783	3.68	3853	3.95	3922	4.21	3998	4.49	4076	4.76	4151	5.04	4224	5.33
3096	3600	3725	3.32	3801	3.59	3875	3.86	3946	4.13	4014	4.41	4081	4.69	4146	4.97	4216	5.26	4290	5.55	4361	5.85

VOL CFM	OV FPM	7" SP		8" SP		9" SP		10" SP		11" SP		12" SP		13" SP		14" SP		15" SP		16" SP	
		RPM	BHP	RPM	BHP	RPM	BHP	RPM	BHP	RPM	BHP	RPM	BHP	RPM	BHP	RPM	BHP	RPM	BHP	RPM	BHP
2064	2400	3690	3.50	3865	3.97	4034	4.46														
2236	2600	3801	3.85	3962	4.34	4121	4.84	4281	5.36	4433	5.89										
2408	2800	3913	4.24	4072	4.75	4223	5.27	4368	5.80	4519	6.35										
2580	3000	4029	4.65	4185	5.19	4334	5.73	4476	6.29												
2752	3200	4161	5.11	4300	5.66	4446	6.23														
2924	3400	4295	5.61	4431	6.18																
3096	3600	4431	6.15																		

Underlined figures in columns approximate Max. Static Efficiency and Quietest Selection. CL. I □ CL. II □
 The standard AMCA class range is shown by the shaded areas. Standard carbon steel fans may be used up to the Maximum Design RPM as listed above for each fan class.
 If the Maximum Safe Operating RPM is not shown, consult the factory.
 Performance shown is for Installation Type B - Free Inlet, Ducted Outlet.
 Power rating (BHP) does not include transmission losses. Performance ratings do not include the effects of appurtenances (accessories).
 All capacities listed above are based on standard Air Density of 0.075 Lbs./Cu. Ft. at 70°F & 0 Ft. elevation (1.2 kg/m³ at 21.1°C & 0 m).

MAXIMUM CLASS OPERATING RPM
FAN TEMPERATURE

SINGLE WIDTH
SINGLE INLET

SIZE 3013

SIZE 3013	-20° to 300°F -29° to 149°C
CLASS I	3158
CLASS II	4120

Wheel Diameter	13.50 inches	343 mm
Wheel Circumference	3.53 feet	1.076 m
Inlet Diameter/Area	14.75 inches dia./1.19 sq. ft.	375 mm/.1106 m ²
Outlet Size/Area	14.10 x 10.73 inches I.D./1.05 sq. ft.	358 x 273 mm/.0975 m ²
Tip Speed	3.53 x RPM ft./minute	1.075 x RPM m/minute
Maximum BHP	.108 x (RPM ÷ 1000) ³ BHP	.0329 x (RPM ÷ 1000) ³ kW

VOL CFM	OV FPM	½" SP		¾" SP		1" SP		1¼" SP		1½" SP		1¾" SP		2" SP							
		RPM	BHP	RPM	BHP	RPM	BHP	RPM	BHP	RPM	BHP	RPM	BHP	RPM	BHP						
840	800	843	0.07	916	0.09	982	0.11	1048	0.13	1109	0.15	1168	0.18	1226	0.20						
945	900	916	0.08	979	0.11	1043	0.13	1101	0.15	1160	0.18	1216	0.20	1268	0.23	1373	0.28				
1050	1000	991	0.11	1047	0.13	1106	0.15	1162	0.18	1215	0.21	1267	0.23	1319	0.26	1415	0.32	1510	0.38		
1155	1100	1067	0.13	1120	0.16	1170	0.18	1225	0.21	1276	0.24	1324	0.27	1371	0.30	1465	0.36	1552	0.42	1638	0.49
1260	1200	1144	0.16	1195	0.19	1242	0.21	1289	0.24	1338	0.27	1385	0.30	1430	0.34	1517	0.40	1602	0.47	1682	0.54
1365	1300	1223	0.19	1271	0.22	1316	0.25	1358	0.28	1402	0.31	1448	0.35	1491	0.38	1573	0.45	1654	0.52	1733	0.59
1470	1400	1301	0.23	1348	0.26	1391	0.29	1431	0.32	1470	0.36	1512	0.39	1554	0.43	1634	0.50	1709	0.57	1784	0.65
1575	1500	1381	0.27	1425	0.30	1466	0.34	1506	0.37	1543	0.41	1579	0.45	1618	0.48	1696	0.56	1769	0.64	1838	0.72
1680	1600	1461	0.31	1504	0.35	1543	0.39	1581	0.43	1617	0.46	1652	0.50	1685	0.54	1759	0.62	1831	0.70	1898	0.79
1785	1700	1541	0.37	1582	0.41	1621	0.45	1657	0.49	1692	0.53	1725	0.57	1758	0.61	1824	0.69	1894	0.78	1960	0.86
1890	1800	1622	0.43	1661	0.47	1699	0.51	1734	0.55	1767	0.59	1800	0.64	1832	0.68	1892	0.77	1957	0.85	2022	0.95
1995	1900	1704	0.49	1741	0.54	1777	0.58	1811	0.62	1844	0.67	1875	0.71	1906	0.76	1965	0.85	2022	0.94	2086	1.04
2100	2000	1785	0.56	1821	0.61	1856	0.66	1889	0.70	1921	0.75	1951	0.80	1981	0.84	2038	0.94	2093	1.03	2150	1.13
2310	2200	1950	0.72	1983	0.78	2015	0.83	2047	0.88	2077	0.93	2105	0.98	2133	1.04	2187	1.14	2239	1.24	2289	1.35
2520	2400	2115	0.92	2146	0.98	2176	1.03	2205	1.09	2234	1.15	2262	1.21	2288	1.26	2339	1.37	2388	1.48	2436	1.60
2730	2600	2281	1.15	2310	1.21	2338	1.27	2366	1.33	2393	1.39	2419	1.46	2445	1.52	2493	1.64	2540	1.76	2585	1.88
2940	2800	2448	1.41	2475	1.48	2502	1.54	2527	1.61	2553	1.68	2578	1.74	2602	1.81	2649	1.94	2693	2.07	2737	2.20
3150	3000	2616	1.72	2641	1.79	2666	1.86	2690	1.93	2714	2.00	2738	2.07	2761	2.14	2806	2.29	2849	2.43	2890	2.56
3360	3200	2784	2.06	2807	2.14	2831	2.21	2854	2.29	2877	2.36	2899	2.44	2921	2.52	2964	2.67	3006	2.82	3045	2.97
3570	3400	2952	2.46	2974	2.53	2996	2.61	3018	2.69	3040	2.77	3061	2.85	3082	2.93	3123	3.10	3163	3.26	3202	3.42
3780	3600	3120	2.90	3142	2.98	3163	3.06	3183	3.15	3204	3.23	3224	3.32	3244	3.40	3283	3.57	3322	3.74	3359	3.92

VOL CFM	OV FPM	2" SP		2½" SP		3" SP		3½" SP		4" SP		4½" SP		5" SP		5½" SP		6" SP		6½" SP	
		RPM	BHP	RPM	BHP	RPM	BHP	RPM	BHP	RPM	BHP	RPM	BHP	RPM	BHP	RPM	BHP	RPM	BHP	RPM	BHP
1155	1100	1721	0.56																		
1260	1200	1761	0.61	1912	0.76																
1365	1300	1806	0.67	1952	0.82																
1470	1400	1857	0.73	1992	0.89	2128	1.06														
1575	1500	1909	0.80	2043	0.97	2168	1.14	2293	1.33												
1680	1600	1962	0.87	2094	1.05	2215	1.23	2333	1.42	2449	1.62										
1785	1700	2023	0.95	2145	1.13	2266	1.32	2378	1.52	2489	1.72	2599	1.93	2702	2.15						
1890	1800	2084	1.04	2200	1.23	2317	1.42	2428	1.63	2533	1.83	2638	2.05	2742	2.27	2840	2.50				
1995	1900	2146	1.13	2261	1.33	2369	1.53	2479	1.74	2583	1.96	2681	2.18	2782	2.40	2880	2.64	2974	2.88		
2100	2000	2209	1.23	2322	1.44	2426	1.65	2531	1.86	2634	2.09	2731	2.31	2824	2.54	2920	2.78	3013	3.03	3103	3.28
2310	2200	2338	1.45	2447	1.67	2548	1.90	2644	2.13	2737	2.36	2833	2.61	2925	2.85	3013	3.10	3097	3.36	3183	3.62
2520	2400	2482	1.71	2574	1.94	2673	2.18	2766	2.43	2855	2.68	2939	2.93	3028	3.19	3114	3.46	3197	3.73	3278	4.00
2730	2600	2629	2.00	2713	2.25	2801	2.50	2891	2.77	2978	3.03	3060	3.30	3140	3.57	3218	3.85	3300	4.13	3379	4.42
2940	2800	2779	2.33	2859	2.59	2936	2.86	3019	3.14	3103	3.42	3184	3.70	3261	3.99	3336	4.28	3409	4.58	3483	4.88
3150	3000	2930	2.70	3008	2.98	3082	3.26	3153	3.55	3231	3.85	3309	4.15	3385	4.45	3459	4.76	3530	5.07	3598	5.38
3360	3200	3084	3.11	3158	3.41	3230	3.71	3298	4.01	3365	4.32	3437	4.63	3511	4.95	3583	5.27	3653	5.60	3720	5.93
3570	3400	3239	3.58	3310	3.89	3379	4.20	3446	4.52	3510	4.84	3572	5.17	3639	5.50	3710	5.84	3778	6.18	3844	6.52
3780	3600	3395	4.09	3464	4.41	3530	4.74	3595	5.08	3657	5.41	3717	5.76	3776	6.10	3838	6.45	3905	6.81	3969	7.17

VOL CFM	OV FPM	7" SP		8" SP		9" SP		10" SP		11" SP		12" SP		13" SP		14" SP		15" SP		16" SP	
		RPM	BHP	RPM	BHP	RPM	BHP	RPM	BHP	RPM	BHP	RPM	BHP	RPM	BHP	RPM	BHP	RPM	BHP	RPM	BHP
2520	2400	3355	4.28	3512	4.85	3666	5.44	3811	6.04												
2730	2600	3456	4.71	3602	5.30	3745	5.91	3890	6.55	4028	7.19										
2940	2800	3558	5.18	3703	5.80	3840	6.44	3970	7.08	4107	7.76										
3150	3000	3665	5.70	3805	6.35	3941	7.01	4070	7.68												
3360	3200	3786	6.26	3912	6.93	4043	7.62														
3570	3400	3908	6.87	4032	7.57																
3780	3600	4033	7.53																		

Underlined figures in columns approximate Max. Static Efficiency and Quietest Selection. CL I □ CL II □
 The standard AMCA class range is shown by the shaded areas. Standard carbon steel fans may be used up to the Maximum Design RPM as listed above for each fan class.
 If the Maximum Safe Operating RPM is not shown, consult the factory.
 Performance shown is for Installation Type B - Free Inlet, Ducted Outlet.
 Power rating (BHP) does not include transmission losses. Performance ratings do not include the effects of appurtenances (accessories).
 All capacities listed above are based on standard Air Density of 0.075 Lbs./Cu. Ft. at 70°F & 0 Ft. elevation (1.2 kg/m³ at 21.1°C & 0 m).

Blowers and General Ventilation

SILENTVANE™



SIZE 3015 SINGLE WIDTH SINGLE INLET

MAXIMUM CLASS OPERATING RPM FAN TEMPERATURE

Wheel Diameter	15.00 inches	381 mm
Wheel Circumference	3.93 feet	1.198 m
Inlet Diameter/Area	16.25 inches dia./1.44 sq. ft.	413 mm/.1338 m ²
Outlet Size/Area	15.73 x 11.60 inches I.D./1.27 sq. ft.	400 x 295 mm/.1180 m ²
Tip Speed	3.93 x RPM ft./minute	1.197 x RPM m/minute
Maximum BHP	.183 x (RPM ÷ 1000) ³ BHP	.1365 x (RPM ÷ 1000) ³ kW

SIZE 3015	-20° to 300°F -29° to 149°C
CLASS I	2782
CLASS II	3629

Blowers and General Ventilation

VOL CFM	OV FPM	¼" SP		⅜" SP		½" SP		⅝" SP		¾" SP		1" SP		1¼" SP		1½" SP		1¾" SP	
		RPM	BHP	RPM	BHP	RPM	BHP	RPM	BHP	RPM	BHP	RPM	BHP	RPM	BHP	RPM	BHP	RPM	BHP
1008	800	745	0.08	812	0.10	873	0.13	933	0.16	988	0.18	1043	0.21	1096	0.24				
1134	900	808	0.10	867	0.13	925	0.15	978	0.18	1032	0.21	1083	0.24	1131	0.27	1227	0.34		
1260	1000	873	0.12	924	0.15	979	0.18	1030	0.21	1078	0.24	1127	0.28	1174	0.31	1262	0.38	1349	0.46
1386	1100	939	0.15	988	0.18	1035	0.21	1085	0.25	1131	0.28	1175	0.32	1219	0.35	1305	0.43	1384	0.50
1512	1200	1007	0.18	1053	0.22	1096	0.25	1140	0.29	1185	0.32	1228	0.36	1269	0.40	1349	0.48	1427	0.56
1638	1300	1075	0.22	1119	0.26	1160	0.29	1199	0.33	1241	0.37	1282	0.41	1322	0.45	1396	0.53	1472	0.62
1764	1400	1143	0.26	1186	0.30	1225	0.34	1262	0.38	1298	0.42	1338	0.46	1377	0.50	1449	0.59	1517	0.68
1890	1500	1213	0.31	1253	0.35	1291	0.39	1327	0.43	1361	0.48	1394	0.52	1432	0.57	1503	0.66	1569	0.75
2016	1600	1282	0.36	1322	0.41	1358	0.45	1392	0.50	1425	0.54	1457	0.59	1488	0.63	1558	0.73	1623	0.83
2142	1700	1353	0.42	1390	0.47	1425	0.52	1458	0.56	1490	0.61	1521	0.66	1551	0.71	1614	0.81	1677	0.91
2268	1800	1423	0.49	1459	0.54	1493	0.59	1525	0.64	1556	0.69	1586	0.74	1615	0.79	1670	0.90	1733	1.01
2394	1900	1494	0.56	1529	0.62	1562	0.67	1593	0.72	1623	0.78	1652	0.83	1680	0.88	1733	0.99	1789	1.10
2520	2000	1566	0.64	1599	0.70	1631	0.76	1661	0.81	1690	0.87	1718	0.92	1745	0.98	1797	1.09	1847	1.21
2772	2200	1709	0.83	1740	0.89	1770	0.95	1798	1.02	1826	1.08	1852	1.14	1878	1.20	1927	1.32	1974	1.45
3024	2400	1854	1.05	1882	1.12	1910	1.19	1937	1.26	1963	1.33	1988	1.39	2012	1.46	2059	1.59	2104	1.73
3276	2600	1999	1.31	2025	1.38	2051	1.46	2077	1.53	2101	1.61	2125	1.68	2149	1.75	2193	1.90	2236	2.04
3528	2800	2145	1.61	2169	1.69	2194	1.77	2218	1.85	2241	1.93	2264	2.01	2286	2.09	2329	2.25	2370	2.40
3780	3000	2291	1.96	2314	2.04	2337	2.13	2360	2.21	2382	2.30	2403	2.38	2425	2.47	2466	2.64	2505	2.80
4032	3200	2438	2.35	2460	2.44	2481	2.53	2502	2.62	2523	2.71	2544	2.80	2564	2.89	2604	3.08	2642	3.26
4284	3400	2585	2.79	2605	2.89	2626	2.98	2646	3.08	2666	3.18	2685	3.27	2705	3.37	2742	3.56	2779	3.76
4536	3600	2732	3.29	2752	3.39	2771	3.49	2790	3.60	2809	3.70	2828	3.80	2846	3.90	2882	4.11	2917	4.31
																		2952	4.52

VOL CFM	OV FPM	2" SP		2½" SP		3" SP		3½" SP		4" SP		4½" SP		5" SP		5½"		6" SP		6½" SP	
		RPM	BHP	RPM	BHP	RPM	BHP	RPM	BHP	RPM	BHP	RPM	BHP	RPM	BHP	RPM	BHP	RPM	BHP	RPM	BHP
1512	1200	1573	0.73																		
1638	1300	1609	0.80	1744	0.99																
1764	1400	1653	0.87	1779	1.07	1901	1.27														
1890	1500	1698	0.95	1819	1.15	1936	1.37	2049	1.59												
2016	1600	1744	1.03	1864	1.25	1974	1.47	2084	1.70	2188	1.94										
2142	1700	1795	1.13	1909	1.35	2018	1.58	2119	1.81	2223	2.06	2322	2.32								
2268	1800	1848	1.23	1954	1.46	2062	1.70	2163	1.94	2258	2.19	2356	2.46	2450	2.73						
2394	1900	1902	1.33	2005	1.57	2107	1.82	2207	2.07	2301	2.33	2392	2.60	2484	2.88	2573	3.17				
2520	2000	1957	1.45	2059	1.70	2153	1.95	2252	2.22	2345	2.48	2433	2.76	2519	3.04	2607	3.34	2692	3.63	2773	3.94
2772	2200	2068	1.71	2167	1.97	2259	2.24	2346	2.52	2435	2.81	2522	3.10	2604	3.40	2683	3.70	2762	4.01	2842	4.34
3024	2400	2189	2.00	2278	2.28	2368	2.57	2452	2.87	2533	3.17	2612	3.48	2694	3.80	2772	4.12	2847	4.44	2919	4.77
3276	2600	2318	2.33	2394	2.63	2479	2.94	2561	3.26	2640	3.58	2714	3.90	2786	4.23	2862	4.57	2936	4.92	3008	5.26
3528	2800	2448	2.71	2522	3.03	2592	3.35	2672	3.69	2748	4.03	2822	4.37	2892	4.72	2960	5.07	3027	5.43	3098	5.79
3780	3000	2580	3.14	2651	3.47	2718	3.81	2784	4.16	2859	4.52	2931	4.88	3000	5.25	3066	5.62	3131	5.99	3193	6.37
4032	3200	2713	3.61	2782	3.96	2847	4.33	2910	4.69	2972	5.06	3042	5.44	3109	5.83	3174	6.22	3238	6.61	3299	7.01
4284	3400	2848	4.14	2914	4.51	2977	4.89	3038	5.27	3096	5.66	3154	6.06	3220	6.46	3284	6.87	3346	7.28	3406	7.70
4536	3600	2984	4.72	3048	5.11	3109	5.51	3167	5.91	3224	6.32	3279	6.73	3333	7.15	3396	7.57	3456	8.01	3515	8.44

VOL CFM	OV FPM	7" SP		8" SP		9" SP		10" SP		11" SP		12" SP		13" SP		14" SP		15" SP		16" SP	
		RPM	BHP	RPM	BHP	RPM	BHP	RPM	BHP	RPM	BHP	RPM	BHP	RPM	BHP	RPM	BHP	RPM	BHP	RPM	BHP
3024	2400	2990	5.11	3137	5.81	3275	6.53														
3276	2600	3077	5.62	3209	6.33	3344	7.08	3475	7.85	3599	8.64										
3528	2800	3166	6.17	3297	6.92	3420	7.68	3544	8.48												
3780	3000	3257	6.76	3386	7.55	3508	8.35	3625	9.17												
4032	3200	3358	7.41	3476	8.23	3597	9.07														
4284	3400	3465	8.11	3577	8.96																
4536	3600	3573	8.88																		

Underlined figures in columns approximate Max. Static Efficiency and Quietest Selection. CL I CL II
 The standard AMCA class range is shown by the shaded areas. Standard carbon steel fans may be used up to the Maximum Design RPM as listed above for each fan class.
 If the Maximum Safe Operating RPM is not shown, consult the factory.
 Performance shown is for Installation Type B - Free Inlet, Ducted Outlet.
 Power rating (BHP) does not include transmission losses. Performance ratings do not include the effects of appurtenances (accessories).
 All capacities listed above are based on standard Air Density of 0.075 Lbs./Cu. Ft. at 70°F & 0 Ft. elevation (1.2 kg/m³ at 21.1°C & 0 m).

MAXIMUM CLASS OPERATING RPM
FAN TEMPERATURE

SINGLE WIDTH
SINGLE INLET

SIZE 3016

SIZE 3016	-20° to 300°F -29° to 149°C
CLASS I	2573
CLASS II	3357

Wheel Diameter	16.50 inches	419 mm
Wheel Circumference	4.32 feet	1.317 m
Inlet Diameter/Area	18.25 inches dia./1.82 sq. ft.	463 mm/1.691 m ²
Outlet Size/Area	17.23 x 12.98 inches I.D./1.55 sq. ft.	438 x 330 mm/1.440 m ²
Tip Speed	4.32 x RPM ft./minute	1.316 x RPM m/minute
Maximum BHP	.296 x (RPM ÷ 1000) ³ BHP	.2207 x (RPM ÷ 1000) ³ kW

VOL CFM	OV FPM	1/4" SP		3/8" SP		1/2" SP		5/8"		3/4" SP		1" SP		1 1/4" SP		1 1/2" SP		1 3/4" SP	
		RPM	BHP	RPM	BHP	RPM	BHP	RPM	BHP	RPM	BHP	RPM	BHP	RPM	BHP	RPM	BHP	RPM	BHP
1248	800	687	0.10	747	0.13	801	0.16	855	0.19	905	0.23	954	0.26	1002	0.30				
1404	900	747	0.13	799	0.16	851	0.19	899	0.23	947	0.26	993	0.30	1036	0.34	1122	0.42		
1560	1000	807	0.16	853	0.19	902	0.23	948	0.27	991	0.31	1035	0.35	1077	0.39	1155	0.47	1233	0.56
1716	1100	869	0.19	913	0.23	954	0.27	999	0.31	1041	0.35	1080	0.40	1119	0.44	1196	0.53	1267	0.62
																		1339	0.72
1872	1200	932	0.23	974	0.27	1012	0.32	1051	0.36	1092	0.41	1130	0.45	1167	0.50	1238	0.59	1308	0.69
2028	1300	996	0.28	1035	0.32	1072	0.37	1107	0.42	1143	0.46	1181	0.51	1217	0.56	1284	0.66	1350	0.77
2184	1400	1060	0.33	1098	0.38	1133	0.43	1166	0.48	1198	0.53	1233	0.58	1268	0.63	1333	0.74	1394	0.85
2340	1500	1124	0.40	1161	0.45	1195	0.50	1227	0.55	1258	0.60	1287	0.66	1320	0.71	1384	0.83	1443	0.94
																		1500	1.06
2496	1600	1189	0.46	1225	0.52	1257	0.58	1288	0.63	1318	0.69	1346	0.74	1374	0.80	1435	0.92	1494	1.04
2652	1700	1255	0.54	1289	0.60	1320	0.66	1350	0.72	1378	0.78	1406	0.84	1433	0.90	1487	1.02	1545	1.15
2808	1800	1321	0.63	1353	0.69	1384	0.75	1412	0.82	1440	0.88	1467	0.94	1493	1.00	1542	1.13	1596	1.26
2964	1900	1387	0.72	1418	0.79	1448	0.86	1475	0.92	1502	0.99	1528	1.05	1553	1.12	1601	1.25	1649	1.39
																		1701	1.53
3120	2000	1454	0.83	1483	0.90	1512	0.97	1539	1.04	1565	1.11	1590	1.17	1614	1.24	1661	1.38	1706	1.53
3432	2200	1587	1.07	1615	1.14	1641	1.22	1667	1.30	1691	1.38	1715	1.45	1738	1.53	1782	1.68	1825	1.83
3744	2400	1722	1.35	1747	1.44	1772	1.52	1796	1.61	1819	1.69	1842	1.78	1864	1.86	1906	2.02	1946	2.19
4056	2600	1857	1.69	1881	1.78	1904	1.87	1926	1.96	1948	2.06	1970	2.15	1991	2.24	2031	2.42	2069	2.59
																		2106	2.77
4368	2800	1993	2.08	2015	2.18	2037	2.27	2058	2.37	2079	2.47	2099	2.57	2119	2.67	2158	2.87	2194	3.06
4680	3000	2129	2.53	2150	2.63	2170	2.74	2190	2.84	2210	2.95	2229	3.05	2248	3.16	2285	3.37	2320	3.58
4992	3200	2266	3.04	2285	3.15	2304	3.26	2323	3.37	2342	3.48	2360	3.59	2378	3.71	2414	3.94	2448	4.16
5304	3400	2402	3.61	2421	3.73	2439	3.85	2457	3.97	2475	4.08	2492	4.20	2509	4.32	2543	4.56	2576	4.81
																		2608	5.05
5616	3600	2540	4.26	2557	4.38	2574	4.51	2591	4.63	2608	4.76	2625	4.88	2641	5.01	2673	5.26	2705	5.52
																		2736	5.78

VOL CFM	OV FPM	2" SP		2 1/2" SP		3" SP		3 1/2" SP		4" SP		4 1/2" SP		5" SP		5 1/2"		6" SP		6 1/2" SP	
		RPM	BHP	RPM	BHP	RPM	BHP	RPM	BHP	RPM	BHP	RPM	BHP	RPM	BHP	RPM	BHP	RPM	BHP	RPM	BHP
1716	1100	1406	0.83																		
1872	1200	1439	0.90																		
2028	1300	1475	0.99	1595	1.22																
2184	1400	1516	1.08	1627	1.32	1739	1.58														
2340	1500	1558	1.18	1668	1.43	1771	1.70	1873	1.97												
2496	1600	1601	1.29	1709	1.55	1809	1.82	1906	2.11	2001	2.40										
2652	1700	1650	1.41	1751	1.68	1850	1.96	1942	2.25	2034	2.56	2123	2.87								
2808	1800	1700	1.54	1795	1.82	1892	2.11	1983	2.41	2068	2.72	2156	3.05	2240	3.38	2321	3.72				
2964	1900	1751	1.68	1844	1.97	1934	2.27	2024	2.58	2109	2.90	2190	3.23	2272	3.57	2353	3.92	2430	4.28		
3120	2000	1802	1.82	1894	2.13	1980	2.44	2066	2.76	2150	3.09	2230	3.43	2306	3.77	2385	4.13	2462	4.50	2535	4.87
3432	2200	1906	2.15	1996	2.48	2079	2.81	2157	3.16	2235	3.51	2313	3.87	2388	4.23	2460	4.60	2529	4.98	2600	5.37
3744	2400	2023	2.53	2099	2.88	2180	3.23	2257	3.60	2329	3.97	2399	4.35	2472	4.74	2543	5.13	2611	5.53	2676	5.94
4056	2600	2142	2.96	2211	3.33	2284	3.71	2358	4.09	2429	4.49	2497	4.89	2562	5.29	2627	5.71	2694	6.13	2759	6.56
4368	2800	2264	3.44	2330	3.83	2393	4.23	2462	4.64	2531	5.06	2597	5.48	2661	5.91	2722	6.34	2781	6.78	2843	7.23
4680	3000	2387	3.99	2451	4.40	2512	4.82	2570	5.25	2635	5.69	2699	6.14	2762	6.59	2822	7.05	2880	7.51	2936	7.97
4992	3200	2512	4.60	2573	5.03	2632	5.48	2688	5.93	2743	6.39	2803	6.86	2864	7.33	2923	7.81	2980	8.29	3035	8.78
5304	3400	2638	5.27	2697	5.74	2753	6.20	2808	6.68	2861	7.16	2912	7.64	2968	8.14	3025	8.64	3081	9.15	3136	9.66
5616	3600	2765	6.03	2822	6.51	2876	7.00	2929	7.50	2980	8.00	3030	8.51	3078	9.02	3130	9.54	3184	10.07	3238	10.61

VOL CFM	OV FPM	7" SP		8" SP		9" SP		10" SP		11" SP		12" SP		13" SP		14" SP		15" SP		16" SP	
		RPM	BHP	RPM	BHP	RPM	BHP	RPM	BHP	RPM	BHP	RPM	BHP	RPM	BHP	RPM	BHP	RPM	BHP	RPM	BHP
3744	2400	2740	6.35	2869	7.20	2995	8.08														
4056	2600	2822	6.99	2941	7.87	3060	8.78	3178	9.73	3291	10.69										
4368	2800	2905	7.69	3023	8.61	3135	9.55	3243	10.51	3355	11.52										
4680	3000	2991	8.44	3107	9.41	3217	10.40	3323	11.40												
4992	3200	3089	9.27	3192	10.27	3301	11.31														
5304	3400	3188	10.17	3290	11.22																
5616	3600	3289	11.15																		

Underlined figures in columns approximate Max. Static Efficiency and Quietest Selection. CL. I CL. II
 The standard AMCA class range is shown by the shaded areas. Standard carbon steel fans may be used up to the Maximum Design RPM as listed above for each fan class.
 If the Maximum Safe Operating RPM is not shown, consult the factory.
 Performance shown is for Installation Type B - Free Inlet, Ducted Outlet.
 Power rating (BHP) does not include transmission losses. Performance ratings do not include the effects of appurtenances (accessories).
 All capacities listed above are based on standard Air Density of 0.075 Lbs./Cu. Ft. at 70°F & 0 Ft. elevation (1.2 kg/m³ at 21.1°C & 0 m).

Blowers and General Ventilation

SILENTVANE™



SIZE 3018

SINGLE WIDTH
SINGLE INLET

MAXIMUM CLASS OPERATING RPM
FAN TEMPERATURE

Wheel Diameter	18.25 inches	464 mm
Wheel Circumference	4.78 feet	1.457 m
Inlet Diameter/Area	20.0 inches dia./2.18 sq. ft.	508 mm/.2025 m ²
Outlet Size/Area	19.04 x 14.35 inches I.D./1.90 sq. ft.	484 x 364 mm/.1765 m ²
Tip Speed	4.78 x RPM ft./minute	1.457 x RPM m/minute
Maximum BHP	.491 x (RPM ÷ 1000) ³ BHP	.3661 x (RPM ÷ 1000) ³ kW

SIZE 3018	-20° to 300°F -29° to 149°C
CLASS I	2256
CLASS II	2943

VOL CFM	OV FPM	¼" SP		¾" SP		1½" SP		2" SP		2½" SP		3" SP		3½" SP		4" SP		4½" SP		5" SP		5½" SP		6" SP		6½" SP			
		RPM	BHP	RPM	BHP	RPM	BHP	RPM	BHP	RPM	BHP	RPM	BHP	RPM	BHP	RPM	BHP	RPM	BHP	RPM	BHP	RPM	BHP	RPM	BHP	RPM	BHP		
1520	800	605	0.11	659	0.14	707	0.17	756	0.21	804	0.25	852	0.29	899	0.33	947	0.37	995	0.41	1043	0.45	1091	0.49	1139	0.53	1187	0.57	1235	0.61
1710	900	653	0.13	704	0.17	749	0.21	795	0.25	837	0.29	880	0.33	920	0.37	963	0.41	1005	0.45	1047	0.49	1089	0.53	1131	0.57	1173	0.61	1215	0.65
1900	1000	707	0.16	752	0.20	795	0.25	836	0.29	876	0.33	915	0.37	953	0.42	991	0.46	1029	0.50	1067	0.54	1105	0.58	1143	0.62	1181	0.66	1219	0.70
2090	1100	759	0.20	800	0.24	840	0.29	880	0.33	917	0.38	953	0.42	989	0.47	1025	0.51	1061	0.55	1097	0.59	1133	0.63	1169	0.67	1205	0.71	1241	0.75
2280	1200	812	0.24	853	0.29	891	0.34	927	0.39	960	0.43	996	0.48	1029	0.54	1063	0.58	1097	0.62	1131	0.66	1165	0.70	1199	0.74	1233	0.78	1267	0.82
2470	1300	867	0.29	905	0.34	941	0.39	973	0.44	1008	0.50	1040	0.55	1072	0.60	1103	0.65	1135	0.70	1167	0.74	1199	0.78	1231	0.82	1263	0.86	1295	0.90
2660	1400	920	0.34	959	0.40	992	0.46	1025	0.51	1057	0.57	1088	0.63	1117	0.68	1146	0.73	1175	0.78	1204	0.83	1233	0.88	1262	0.93	1291	0.98	1320	1.03
2850	1500	977	0.41	1012	0.47	1044	0.53	1076	0.59	1107	0.65	1136	0.71	1164	0.77	1192	0.82	1220	0.87	1248	0.92	1276	0.97	1304	1.02	1332	1.07	1360	1.12
3040	1600	1033	0.48	1067	0.54	1097	0.60	1128	0.67	1156	0.73	1185	0.79	1212	0.86	1239	0.91	1266	0.96	1293	1.01	1320	1.06	1347	1.11	1374	1.16	1401	1.21
3230	1700	1089	0.55	1120	0.62	1151	0.69	1180	0.76	1208	0.82	1235	0.89	1261	0.96	1287	1.02	1313	1.08	1339	1.14	1365	1.20	1391	1.26	1417	1.32	1443	1.38
3420	1800	1147	0.64	1176	0.71	1205	0.78	1233	0.86	1260	0.93	1285	1.00	1312	1.07	1337	1.13	1363	1.19	1389	1.25	1414	1.31	1439	1.37	1464	1.43	1489	1.49
3610	1900	1203	0.74	1232	0.81	1260	0.89	1287	0.97	1312	1.04	1337	1.11	1363	1.19	1389	1.25	1414	1.31	1439	1.37	1464	1.43	1489	1.49	1514	1.55	1539	1.61
3800	2000	1260	0.84	1288	0.92	1315	1.00	1341	1.08	1365	1.16	1391	1.24	1413	1.32	1436	1.40	1459	1.48	1481	1.56	1504	1.63	1527	1.71	1550	1.78	1573	1.85
4180	2200	1376	1.09	1401	1.17	1427	1.26	1451	1.35	1473	1.43	1497	1.52	1519	1.61	1543	1.70	1566	1.78	1589	1.86	1612	1.94	1635	2.02	1658	2.10	1681	2.18
4560	2400	1491	1.37	1516	1.47	1539	1.57	1561	1.66	1584	1.76	1605	1.85	1625	1.94	1647	2.03	1668	2.12	1689	2.21	1710	2.30	1731	2.39	1752	2.48	1773	2.57
4940	2600	1608	1.71	1631	1.82	1652	1.92	1673	2.02	1693	2.12	1715	2.23	1735	2.34	1757	2.44	1778	2.52	1799	2.60	1820	2.69	1841	2.78	1862	2.87	1883	2.96
5320	2800	1724	2.09	1745	2.21	1767	2.33	1787	2.44	1807	2.55	1825	2.66	1844	2.77	1861	2.87	1879	2.97	1897	3.07	1915	3.17	1933	3.27	1951	3.37	1969	3.47
5700	3000	1841	2.54	1861	2.66	1881	2.79	1900	2.91	1919	3.03	1937	3.15	1955	3.27	1971	3.35	1989	3.43	2007	3.51	2024	3.59	2041	3.67	2059	3.75	2076	3.83
6080	3200	1960	3.06	1979	3.19	1997	3.32	2015	3.44	2032	3.57	2051	3.71	2067	3.83	2100	4.08	2133	4.34	2165	4.59	2197	4.84	2229	5.09	2261	5.34	2293	5.59
6460	3400	2077	3.62	2095	3.76	2113	3.91	2129	4.03	2147	4.18	2164	4.32	2180	4.45	2212	4.72	2243	4.99	2273	5.26	2303	5.53	2333	5.80	2363	6.07	2393	6.34
6840	3600	2196	4.27	2212	4.41	2229	4.56	2245	4.71	2261	4.85	2277	5.00	2293	5.14	2324	5.44	2353	5.71	2383	6.01	2412	6.28	2441	6.55	2470	6.82	2500	7.09
7220	3800	2313	4.98	2329	5.13	2345	5.29	2361	5.45	2377	5.61	2392	5.76	2407	5.91	2436	6.21	2465	6.52	2493	6.82	2521	7.13	2549	7.44	2577	7.75	2605	8.06
7600	4000	2432	5.78	2448	5.95	2463	6.11	2477	6.26	2493	6.44	2507	6.59	2521	6.75	2549	7.07	2577	7.40	2604	7.71	2631	8.03	2658	8.35	2685	8.67	2712	8.99
7980	4200	2551	6.65	2565	6.82	2580	7.00	2595	7.18	2609	7.35	2623	7.52	2636	7.68	2664	8.03	2691	8.37	2716	8.69	2741	9.03	2766	9.37	2791	9.71	2816	10.05
8360	4400	2669	7.61	2684	7.80	2697	7.97	2712	8.17	2725	8.34	2739	8.52	2752	8.70	2778	9.05	2804	9.41	2829	9.76	2854	10.11	2879	10.46	2904	10.81	2929	11.16
8740	4600	2788	8.66	2802	8.86	2816	9.06	2829	9.24	2841	9.42	2855	9.62	2868	9.81	2893	10.20	2917	10.50	2941	10.90	2965	11.20	2989	11.50	3013	11.80	3037	12.10
9120	4800	2908	9.82	2920	10.00	2933	10.20																						

VOL CFM	OV FPM	2" SP		2½" SP		3" SP		3½" SP		4" SP		4½" SP		5" SP		5½" SP		6" SP		6½" SP	
		RPM	BHP	RPM	BHP	RPM	BHP	RPM	BHP	RPM	BHP	RPM	BHP	RPM	BHP	RPM	BHP	RPM	BHP	RPM	BHP
2470	1300	1312	1.08																		
2660	1400	1344	1.18	1452	1.45																
2850	1500	1379	1.28	1480	1.56	1583	1.87														
3040	1600	1417	1.40	1513	1.68	1609	1.99														
3230	1700	1457	1.52	1551	1.82	1640	2.13	1731	2.47												
3420	1800	1500	1.66	1589	1.97	1675	2.29	1760	2.63	1845	2.99										
3610	1900	1544	1.80	1629	2.12	1712	2.46	1793	2.80	1875	3.17	1955	3.55								
3800	2000	1589	1.96	1672	2.29	1752	2.64	1829	2.99	1907	3.36	1984	3.75	2059	4.15						
4180	2200	1684	2.31	1761	2.67	1836	3.04	1908	3.41	1980	3.80	2051	4.20	2120	4.61	2189	5.04	2259	5.48	2327	5.93
4560	2400	1781	2.70	1855	3.09	1925	3.49	1993	3.88	2060	4.29	2125	4.71	2191	5.14	2255	5.58	2319	6.03	2383	6.50
4940	2600	1883	3.16	1951	3.57	2017	3.98	2083	4.42	2145	4.84	2208	5.29	2269	5.73	2329	6.19	2389	6.66	2449	7.14
5320	2800	1985	3.66	2051	4.10	2115	4.55	2176	5.00	2236	5.46	2295	5.92	2353	6.40	2409	6.86	2467	7.37	2523	7.86
5700	3000	2089	4.21	2152	4.69	2213	5.17	2272	5.65	2329	6.13	2385	6.62	2440	7.11	2495	7.62	2549	8.13	2601	8.64
6080	3200	2196	4.84	2256	5.35	2313	5.85	2371	6.37	2425	6.87	2479	7.39	2532	7.91	2584	8.44	2635	8.97	2685	9.50
6460	3400	2303	5.53	2361																	

MAXIMUM CLASS OPERATING RPM
FAN TEMPERATURE

SINGLE WIDTH
SINGLE INLET

SIZE 3020

SIZE 3020	-20° to 300°F -29° to 149°C
CLASS I	2084
CLASS II	2719

Wheel Diameter	20.00 inches	508 mm
Wheel Circumference	5.24 feet	1.597 m
Inlet Diameter/Area	21.75 inches dia./2.58 sq. ft.	552 mm/.2397 m ²
Outlet Size/Area	20.98 x 15.85 inches I.D./2.31 sq. ft.	533 x 403 mm/.2146 m ²
Tip Speed	5.24 x RPM ft./minute	1.597 x RPM m/minute
Maximum BHP	.775 x (RPM ÷ 1000) ³ BHP	.5779 x (RPM ÷ 1000) ³ kW

VOL CFM	OV FPM	¼" SP		½" SP		¾" SP		1" SP		1 ¼" SP		1 ½" SP		1 ¾" SP													
		RPM	BHP	RPM	BHP	RPM	BHP	RPM	BHP	RPM	BHP	RPM	BHP	RPM	BHP												
1856	800	558	0.13	607	0.17	652	0.21	695	0.26	738	0.31	780	0.35	823	0.41	908	0.52	1035	0.84	1121	1.07						
2088	900	605	0.17	649	0.21	690	0.25	728	0.30	769	0.35	807	0.40	846	0.46												
2320	1000	653	0.20	692	0.25	732	0.30	769	0.35	806	0.41	841	0.46	874	0.51							944	0.63	1097	1.02	1150	1.17
2552	1100	701	0.25	740	0.30	777	0.36	811	0.41	844	0.47	877	0.52	910	0.58							973	0.71	1082	0.98	1133	1.28
2784	1200	751	0.30	787	0.36	821	0.42	854	0.48	886	0.54	917	0.60	946	0.66	1006	0.79	1064	0.92	1117	1.17						
3016	1300	801	0.36	836	0.43	869	0.49	900	0.55	929	0.61	959	0.68	988	0.75	1043	0.88	1097	1.02	1150	1.17						
3248	1400	853	0.43	886	0.50	916	0.57	946	0.63	974	0.70	1002	0.77	1030	0.84	1082	0.98	1133	1.13	1184	1.28						
3480	1500	905	0.51	934	0.58	965	0.65	994	0.73	1020	0.80	1047	0.87	1073	0.95	1124	1.10	1172	1.25	1219	1.41						
3712	1600	956	0.60	986	0.68	1014	0.75	1041	0.83	1068	0.91	1092	0.98	1117	1.06	1166	1.22	1213	1.38	1258	1.55						
3944	1700	1009	0.70	1037	0.78	1064	0.86	1091	0.94	1115	1.02	1141	1.11	1164	1.19	1210	1.35	1255	1.52	1298	1.69						
4176	1800	1062	0.81	1088	0.89	1115	0.98	1139	1.06	1164	1.15	1188	1.24	1211	1.33	1255	1.50	1298	1.68	1340	1.86						
4408	1900	1115	0.93	1141	1.02	1165	1.11	1189	1.20	1213	1.29	1236	1.39	1258	1.48	1301	1.66	1342	1.84	1383	2.03						
4640	2000	1167	1.06	1193	1.16	1217	1.25	1240	1.35	1262	1.44	1285	1.54	1306	1.64	1347	1.83	1388	2.03	1427	2.22						
5104	2200	1274	1.36	1298	1.47	1320	1.58	1342	1.69	1364	1.80	1383	1.89	1404	2.00	1443	2.22	1480	2.42	1517	2.64						
5568	2400	1382	1.72	1404	1.84	1424	1.96	1445	2.08	1466	2.20	1484	2.31	1503	2.42	1540	2.65	1576	2.89	1610	3.12						
6032	2600	1490	2.15	1511	2.28	1530	2.40	1549	2.53	1568	2.66	1587	2.79	1604	2.91	1639	3.16	1673	3.41	1706	3.66						
6496	2800	1599	2.64	1617	2.77	1637	2.92	1655	3.06	1672	3.19	1690	3.33	1707	3.47	1740	3.74	1771	4.00	1803	4.27						
6960	3000	1707	3.20	1725	3.35	1744	3.51	1761	3.65	1778	3.80	1793	3.94	1810	4.09	1842	4.38	1872	4.67	1901	4.95						
7424	3200	1816	3.84	1833	4.00	1850	4.16	1866	4.31	1883	4.48	1899	4.64	1913	4.78	1944	5.10	1973	5.41	2002	5.72						
7888	3400	1926	4.56	1943	4.74	1958	4.91	1974	5.08	1989	5.24	2003	5.40	2019	5.58	2047	5.90	2075	6.23	2103	6.57						
8352	3600	2036	5.38	2051	5.55	2066	5.74	2081	5.92	2095	6.09	2110	6.27	2123	6.44	2151	6.80	2178	7.15	2205	7.50						
8816	3800	2145	6.27	2160	6.47	2174	6.66	2189	6.85	2202	7.03	2217	7.24	2230	7.42	2256	7.78	2282	8.16	2308	8.54						
9280	4000	2256	7.28	2269	7.47	2283	7.68	2297	7.89	2310	8.08	2323	8.28	2336	8.48	2361	8.86	2387	9.27	2411	9.66						
9744	4200	2366	8.39	2379	8.60	2391	8.79	2405	9.02	2418	9.23	2430	9.43	2442	9.63	2467	10.10	2491	10.50	2515	10.90						
10208	4400	2476	9.60	2489	9.83	2501	10.00	2514	10.30	2526	10.50	2538	10.70	2550	10.90	2573	11.30	2597	11.80	2620	12.20						
10672	4600	2586	10.90	2599	11.20	2610	11.40	2622	11.60	2634	11.80	2646	12.10	2657	12.30	2680	12.80	2702	13.20								
11136	4800	2696	12.60	2708	12.60																						

VOL CFM	OV FPM	2" SP		2 ½" SP		3" SP		3 ½" SP		4" SP		4 ½" SP		5" SP		5 ½"		6" SP		6 ½" SP	
		RPM	BHP	RPM	BHP	RPM	BHP	RPM	BHP	RPM	BHP	RPM	BHP	RPM	BHP	RPM	BHP	RPM	BHP	RPM	BHP
2784	1200	1177	1.21																		
3016	1300	1204	1.32																		
3248	1400	1233	1.44	1331	1.77																
3480	1500	1267	1.57	1359	1.91	1450	2.28														
3712	1600	1303	1.72	1390	2.07	1475	2.44	1560	2.83												
3944	1700	1341	1.87	1424	2.23	1506	2.62	1586	3.02	1666	3.44										
4176	1800	1381	2.04	1461	2.42	1539	2.81	1615	3.22	1691	3.65	1767	4.11								
4408	1900	1422	2.22	1500	2.62	1574	3.02	1648	3.45	1719	3.87	1791	4.33	1862	4.81						
4640	2000	1464	2.42	1539	2.83	1611	3.24	1682	3.68	1751	4.13	1819	4.59	1888	5.07	1956	5.58				
5104	2200	1553	2.86	1622	3.29	1690	3.74	1756	4.20	1820	4.67	1883	5.15	1946	5.65	2008	6.16	2070	6.69	2132	7.24
5568	2400	1644	3.35	1710	3.82	1773	4.30	1835	4.79	1895	5.28	1955	5.80	2013	6.31	2071	6.84	2128	7.39	2185	7.95
6032	2600	1737	3.91	1801	4.42	1860	4.93	1918	5.44	1975	5.97	2031	6.50	2087	7.05	2142	7.62	2195	8.17	2248	8.75
6496	2800	1833	4.54	1893	5.08	1950	5.63	2006	6.18	2060	6.74	2113	7.30	2166	7.88	2217	8.46	2268	9.05	2319	9.66
6960	3000	1930	5.24	1987	5.82	2042	6.40	2095	6.99	2147	7.58	2197	8.17	2248	8.78	2297	9.39	2345	10.00	2393	10.60
7424	3200	2030	6.03	2084	6.65	2137	7.27	2188	7.89	2237	8.51	2286	9.14	2333	9.77	2380	10.40	2427	11.10	2472	11.70
7888	3400	2129	6.89	2182	7.55	2232	8.20	2281	8.86	2328	9.51	2376	10.20	2421	10.90	2466	11.50	2510	12.20	2554	12.90
8352	3600	2230	7.84	2281	8.55	2329	9.24	2376	9.93	2422	10.60	2467	11.30	2511	12.00	2554	12.70	2598	13.50	2639	14.20
8816	3800	2332	8.89	2381	9.64	2427	10.40	2473	11.10	2516	11.80	2560	12.60	2603	13.30	2645	14.00	2686	14.80		
9280	4000	2435	10.00	2481	10.80	2526	11.60	2570	12.40	2613	13.10	2655	13.90	2696	14.70						
9744	4200	2538	11.30	2583	12.10	2627	12.90	2669	13.70	2711	14.50										
10208	4400	2641	12.60	2685	13.50																

VOL CFM	OV FPM	7" SP		8" SP		9" SP		10" SP		11" SP		12" SP		13" SP		14" SP		15" SP		16" SP	
		RPM	BHP	RPM	BHP	RPM	BHP	RPM	BHP	RPM	BHP	RPM	BHP	RPM	BHP	RPM	BHP	RPM	BHP	RPM	BHP
5568	2400	2242	8.52	2356	9.73																
6032	2600	2302	9.35	2407	10.60	2512	11.90														
6496	2800	2368	10.30	2467	11.50	2565	12.80	2662	14.20												
6960	3000	2440	11.30	2534	12.60	2627	13.90	2718	15.30												

SILENTVANE™



SIZE 3022 SINGLE WIDTH SINGLE INLET

MAXIMUM CLASS OPERATING RPM FAN TEMPERATURE

Wheel Diameter	22.25 inches	565 mm
Wheel Circumference	5.83 feet	1.777 m
Inlet Diameter/Area	24.0 inches dia./3.14 sq. ft.	610 mm/.2917 m ²
Outlet Size/Area	23.29 x 17.48 inches I.D./2.83 sq. ft.	592 x 444 mm/.2629 m ²
Tip Speed	5.83 x RPM ft./minute	1.777 x RPM m/minute
Maximum BHP	1.31 x (RPM ÷ 1000) ³ BHP	.9769 x (RPM ÷ 1000) ³ kW

SIZE 3022	-20° to 300°F -29° to 149°C
CLASS I	1853
CLASS II	2418

Blowers and General Ventilation

VOL CFM	OV FPM	¼" SP		⅜" SP		½" SP		⅝" SP		¾" SP		1" SP		1 ¼" SP		1 ½" SP		1 ¾" SP	
		RPM	BHP	RPM	BHP	RPM	BHP	RPM	BHP	RPM	BHP	RPM	BHP	RPM	BHP	RPM	BHP	RPM	BHP
2264	800	497	0.16	541	0.21	582	0.26	621	0.31	660	0.37	699	0.43	737	0.50				
2547	900	538	0.20	579	0.25	615	0.31	650	0.36	687	0.43	723	0.49	757	0.56				
2830	1000	581	0.25	618	0.31	652	0.36	686	0.43	719	0.49	751	0.56	782	0.63	845	0.77		
3113	1100	624	0.30	659	0.37	691	0.43	723	0.50	753	0.56	783	0.63	813	0.71	870	0.86	926	1.02
3396	1200	667	0.36	701	0.43	731	0.50	762	0.58	790	0.65	818	0.72	845	0.80	899	0.96	951	1.12
3679	1300	712	0.43	743	0.51	772	0.59	801	0.66	829	0.74	855	0.82	881	0.90	932	1.07	980	1.24
3962	1400	757	0.52	788	0.60	815	0.68	842	0.76	867	0.84	893	0.93	918	1.02	965	1.19	1012	1.37
4245	1500	802	0.61	831	0.70	858	0.79	884	0.88	909	0.96	932	1.05	957	1.15	1002	1.33	1047	1.52
4528	1600	849	0.71	876	0.81	901	0.90	926	1.00	950	1.09	973	1.18	996	1.28	1039	1.47	1081	1.67
4811	1700	895	0.83	921	0.93	946	1.03	970	1.13	992	1.23	1014	1.33	1036	1.43	1078	1.63	1119	1.84
5094	1800	941	0.96	966	1.06	990	1.17	1013	1.28	1035	1.38	1056	1.49	1077	1.59	1118	1.81	1157	2.03
5377	1900	989	1.10	1013	1.22	1036	1.33	1057	1.44	1078	1.55	1099	1.66	1119	1.77	1158	2.00	1196	2.23
5660	2000	1036	1.26	1058	1.38	1080	1.50	1102	1.62	1122	1.73	1142	1.85	1161	1.97	1199	2.20	1235	2.44
6226	2200	1130	1.62	1152	1.76	1172	1.89	1192	2.02	1211	2.15	1230	2.28	1248	2.40	1284	2.67	1317	2.92
6792	2400	1225	2.05	1246	2.20	1264	2.34	1283	2.48	1301	2.62	1318	2.76	1336	2.91	1369	3.19	1402	3.47
7358	2600	1322	2.56	1340	2.71	1357	2.86	1375	3.02	1392	3.18	1408	3.32	1425	3.48	1457	3.79	1487	4.09
7924	2800	1417	3.13	1434	3.30	1452	3.48	1468	3.64	1484	3.81	1500	3.98	1516	4.15	1546	4.48	1575	4.80
8490	3000	1513	3.80	1530	3.98	1546	4.17	1562	4.35	1577	4.53	1591	4.70	1607	4.89	1635	5.23	1663	5.59
9056	3200	1611	4.57	1626	4.76	1641	4.95	1655	5.14	1671	5.34	1685	5.53	1699	5.72	1726	6.10	1753	6.48
9622	3400	1707	5.42	1721	5.62	1737	5.84	1751	6.05	1764	6.24	1778	6.45	1791	6.65	1818	7.06	1843	7.46
10188	3600	1805	6.39	1818	6.60	1832	6.82	1845	7.03	1859	7.26	1872	7.48	1884	7.68	1910	8.13	1934	8.55
10754	3800	1901	7.44	1915	7.69	1928	7.92	1940	8.14	1953	8.37	1966	8.61	1978	8.84	2002	9.29	2026	9.75
11320	4000	1999	8.64	2012	8.89	2024	9.13	2037	9.39	2049	9.63	2061	9.87	2072	10.10	2095	10.60	2118	11.10
11886	4200	2096	9.94	2108	10.20	2120	10.50	2132	10.70	2144	11.00	2156	11.20	2167	11.50	2189	12.00	2211	12.50
12452	4400	2194	11.40	2206	11.70	2217	11.90	2228	12.20	2239	12.50	2251	12.70	2262	13.00	2283	13.50	2304	14.10
13018	4600	2291	12.90	2303	13.20	2314	13.50	2325	13.80	2336	14.10	2346	14.40	2356	14.60	2377	15.20	2397	15.70
13584	4800	2390	14.70	2401	15.00	2410	15.20												

VOL CFM	OV FPM	2" SP		2 ½" SP		3" SP		3 ½" SP		4" SP		4 ½" SP		5" SP		5 ½" SP		6" SP		6 ½" SP	
		RPM	BHP	RPM	BHP	RPM	BHP	RPM	BHP	RPM	BHP	RPM	BHP	RPM	BHP	RPM	BHP	RPM	BHP	RPM	BHP
3679	1300	1077	1.61																		
3962	1400	1103	1.75																		
4245	1500	1132	1.91	1192	2.16																
4528	1600	1164	2.08	1216	2.33	1298	2.78														
4811	1700	1197	2.27	1243	2.51	1321	2.97														
5094	1800	1232	2.47					1419	3.67												
5377	1900	1268	2.69					1445	3.92	1515	4.46										
5660	2000	1305	2.92					1472	4.18	1538	4.72	1603	5.28								
6226	2200	1383	3.44					1503	4.47	1565	5.01	1628	5.59	1690	6.18						
6792	2400	1464	4.04	1446	3.98	1507	4.52			1625	5.66	1684	6.27	1740	6.87	1797	7.51	1854	8.17	1910	8.84
7358	2600	1546	4.70	1523	4.61	1581	5.20	1567	5.09	1625	5.66	1684	6.27	1740	6.87	1798	7.65	1851	8.31	1903	8.98
7924	2800	1630	5.45	1602	5.32	1658	5.96	1637	5.80	1691	6.40	1745	7.02	1798	7.65	1851	8.31	1903	8.98	1955	9.67
8490	3000	1717	6.30	1685	6.12	1737	6.79	1711	6.59	1762	7.22	1812	7.87	1863	8.55	1912	9.22	1962	9.94	2010	10.60
9056	3200	1804	7.23					1786	7.45	1836	8.14	1884	8.83	1932	9.54	1978	10.20	2025	11.00	2070	11.70
9622	3400	1892	8.26					1866	8.43	1913	9.15	1959	9.88	2004	10.60	2049	11.40	2093	12.10	2136	12.90
10188	3600	1981	9.39					1947	9.49	1992	10.30	2036	11.00	2079	11.80	2122	12.60	2163	13.40	2206	14.20
10754	3800	2071	10.60					2029	10.70	2072	11.50	2115	12.30	2157	13.10	2198	13.90	2238	14.70	2277	15.60
11320	4000	2162	12.00					2114	11.90	2155	12.80	2196	13.60	2236	14.50	2275	15.40	2314	16.20	2352	17.10
11886	4200	2253	13.50					2199	13.30	2239	14.20	2278	15.10	2317	16.00	2355	16.90	2392	17.80		
12452	4400	2344	15.10					2285	14.80	2324	15.80	2362	16.70	2400	17.70						

VOL CFM	OV FPM	7" SP		8" SP		9" SP		10" SP		11" SP		12" SP		13" SP		14" SP		15" SP		16" SP	
		RPM	BHP	RPM	BHP	RPM	BHP	RPM	BHP	RPM	BHP	RPM	BHP	RPM	BHP	RPM	BHP	RPM	BHP	RPM	BHP
6792	2400	2007	10.40																		
7358	2600			2155	12.90	2250	14.50														
7924	2800	2116	12.50	2206	14.00	2296	15.60	2384	17.30												
8490	3000	2180	13.70	2264	15.30	2349	16.90														
9056	3200	2247	15.00			2407	18.40														
9622	3400	2317	16.40																		
10188	3600	2390	18.00																		

Underlined figures in columns approximate Max. Static Efficiency and Quietest Selection. CL I □ CL II □
 The standard AMCA class range is shown by the shaded areas. Standard carbon steel fans may be used up to the Maximum Design RPM as listed above for each fan class.
 If the Maximum Safe Operating RPM is not shown, consult the factory.
 Performance shown is for Installation Type B - Free Inlet, Ducted Outlet.
 Power rating (BHP) does not include transmission losses. Performance ratings do not include the effects of appurtenances (accessories).
 All capacities listed above are based on standard Air Density of 0.075 Lbs./Cu. Ft. at 70°F & 0 Ft. elevation (1.2 kg/m³ at 21.1°C & 0 m).

SILENTVANE™



SIZE 3027 SINGLE WIDTH SINGLE INLET

MAXIMUM CLASS OPERATING RPM FAN TEMPERATURE

Wheel Diameter	27.00 inches	686 mm
Wheel Circumference	7.07 feet	2.155 m
Inlet Diameter/Area	29.5 inches dia./4.75 sq. ft.	749 mm/4413 m ²
Outlet Size/Area	28.29 x 21.35 inches I.D./4.20 sq. ft.	719 x 542 mm/3902 m ²
Tip Speed	7.07 x RPM ft./minute	2.155 x RPM m/minute
Maximum BHP	3.76 x (RPM ÷ 1000) ³ BHP	2.804 x (RPM ÷ 1000) ³ kW

SIZE 3027	-20° to 300°F -29° to 149°C
CLASS I	1450
CLASS II	1892

Blowers and General Ventilation

VOL CFM	OV FPM	¼" SP		⅜" SP		½" SP		¾" SP		1" SP		1 ¼" SP		1 ½" SP		1 ¾" SP		
		RPM	BHP	RPM	BHP	RPM	BHP	RPM	BHP	RPM	BHP	RPM	BHP	RPM	BHP	RPM	BHP	
3360	800	392	0.22	427	0.29	463	0.37	498	0.45	530	0.53	561	0.62	595	0.72			
3780	900	422	0.28	454	0.35	489	0.44	520	0.52	550	0.61	578	0.70	609	0.80			
4200	1000	454	0.34	486	0.43	515	0.51	543	0.60	572	0.70	600	0.80	627	0.90	679	1.11	
4620	1100	488	0.42	516	0.51	543	0.60	571	0.70	596	0.80	623	0.91	649	1.02	698	1.24	745
5040	1200	522	0.50	548	0.60	575	0.71	600	0.81	623	0.91	649	1.03	672	1.14	718	1.37	763
5460	1300	556	0.60	581	0.71	605	0.81	629	0.93	653	1.05	676	1.16	698	1.28	741	1.52	783
5880	1400	591	0.71	614	0.82	638	0.95	660	1.06	683	1.19	703	1.30	725	1.43	765	1.68	806
6300	1500	627	0.84	650	0.97	671	1.09	692	1.21	712	1.34	733	1.47	754	1.61	792	1.87	831
6720	1600	663	0.99	684	1.12	705	1.25	724	1.38	745	1.52	764	1.65	783	1.79	821	2.08	857
7140	1700	699	1.15	719	1.28	739	1.43	758	1.57	777	1.71	796	1.86	813	1.99	849	2.29	884
7560	1800	735	1.32	755	1.48	773	1.62	792	1.77	810	1.92	828	2.08	845	2.22	879	2.54	912
7980	1900	773	1.53	790	1.68	808	1.83	826	1.99	843	2.15	860	2.31	877	2.47	910	2.80	942
8400	2000	809	1.75	827	1.91	844	2.07	861	2.24	877	2.40	894	2.57	910	2.74	941	3.08	972
9240	2200	884	2.26	899	2.42	915	2.60	930	2.78	946	2.97	960	3.14	975	3.32	1005	3.70	1033
10080	2400	959	2.86	973	3.04	987	3.23	1001	3.42	1015	3.61	1030	3.82	1044	4.02	1071	4.42	1097
10920	2600	1033	3.55	1047	3.76	1060	3.96	1073	4.17	1087	4.39	1100	4.60	1112	4.80	1138	5.24	1163
11760	2800	1109	4.37	1121	4.59	1134	4.81	1146	5.03	1159	5.27	1171	5.49	1183	5.71	1207	6.17	1231
12600	3000	1185	5.31	1196	5.54	1208	5.78	1220	6.03	1232	6.27	1243	6.51	1254	6.74	1277	7.24	1299
13440	3200	1260	6.36	1272	6.63	1282	6.87	1294	7.14	1305	7.40	1315	7.64	1326	7.90	1347	8.41	1369
14280	3400	1337	7.59	1347	7.84	1357	8.10	1368	8.38	1379	8.67	1388	8.91	1399	9.21	1419	9.75	1439
15120	3600	1412	8.91	1422	9.19	1433	9.50	1443	9.79	1452	10.10	1462	10.40	1472	10.60	1491	11.20	1510
15960	3800	1489	10.40	1499	10.70	1508	11.00	1517	11.30	1526	11.60	1536	11.90	1545	12.20	1564	12.90	1582
16800	4000	1566	12.10	1574	12.40	1583	12.70	1592	13.00	1601	13.40	1610	13.70	1619	14.00	1637	14.70	1654
17640	4200	1642	13.90	1651	14.30	1659	14.60	1668	14.90	1676	15.30	1685	15.60	1693	15.90	1710	16.60	1727
18480	4400	1719	16.00	1727	16.30	1735	16.70	1743	17.00	1752	17.40	1760	17.70	1768	18.10	1784	18.80	1799
19320	4600	1795	18.20	1803	18.50	1811	18.90	1819	19.30	1826	19.60	1834	20.00	1842	20.30	1857	21.10	1873
20160	4800	1872	20.60	1880	21.00	1887	21.30											

VOL CFM	OV FPM	2" SP		2 ½" SP		3" SP		3 ½" SP		4" SP		4 ½" SP		5" SP		5 ½"		6" SP		6 ½" SP	
		RPM	BHP	RPM	BHP	RPM	BHP	RPM	BHP	RPM	BHP	RPM	BHP	RPM	BHP	RPM	BHP	RPM	BHP	RPM	BHP
5460	1300	865	2.31																		
5880	1400	884	2.52	959	3.12																
6300	1500	905	2.74	976	3.35	1045	4.00														
6720	1600	927	2.97	995	3.61	1062	4.29														
7140	1700	951	3.23	1016	3.89	1080	4.58	1142	5.30												
7560	1800	977	3.51	1040	4.20	1100	4.90	1160	5.65	1218	6.42										
7980	1900	1004	3.81	1064	4.52	1122	5.25	1179	6.01	1235	6.80	1290	7.61								
8400	2000	1032	4.14	1089	4.86	1145	5.61	1201	6.41	1254	7.21	1307	8.04	1359	8.90						
9240	2200	1089	4.84	1143	5.62	1195	6.42	1247	7.26	1298	8.13	1347	9.00	1396	9.90	1444	10.80	1491	11.80	1537	12.70
10080	2400	1150	5.65	1200	6.48	1250	7.35	1298	8.23	1345	9.13	1391	10.00	1437	11.00	1482	12.00	1526	12.90	1571	14.00
10920	2600	1212	6.55	1259	7.43	1307	8.38	1352	9.31	1396	10.20	1440	11.20	1484	12.20	1526	13.20	1568	14.20	1610	15.30
11760	2800	1276	7.56	1322	8.54	1365	9.49	1409	10.50	1451	11.50	1493	12.50	1533	13.60	1574	14.60	1614	15.70	1653	16.80
12600	3000	1343	8.73	1385	9.73	1427	10.80	1468	11.80	1508	12.90	1548	14.00	1586	15.00	1624	16.10	1663	17.30	1700	18.40
13440	3200	1410	10.00	1450	11.10	1490	12.20	1529	13.30	1567	14.40	1605	15.50	1642	16.70	1679	17.80	1714	19.00	1751	20.20
14280	3400	1478	11.40	1517	12.60	1554	13.70	1591	14.80	1628	16.00	1663	17.20	1699	18.40	1735	19.60	1769	20.80	1803	22.10
15120	3600	1548	13.00	1584	14.20	1620	15.40	1655	16.60	1690	17.80	1725	19.10	1759	20.30	1792	21.60	1825	22.80	1858	24.10
15960	3800	1617	14.70	1652	15.90	1687	17.20	1720	18.50	1754	19.80	1787	21.10	1820	22.40	1852	23.70	1884	25.00		
16800	4000	1687	16.60	1721	17.90	1754	19.20	1787	20.50	1819	21.90	1850	23.20	1882	24.60						
17640	4200	1759	18.60	1791	20.00	1823	21.40	1854	22.80	1885	24.20										
18480	4400	1831	20.90	1862	22.30	1892	23.70														

VOL CFM	OV FPM	7" SP		8" SP		9" SP		10" SP		11" SP		12" SP		13" SP		14" SP		15" SP		16" SP	
		RPM	BHP	RPM	BHP	RPM	BHP	RPM	BHP	RPM	BHP	RPM	BHP	RPM	BHP	RPM	BHP	RPM	BHP	RPM	BHP
10080	2400	1614	15.00																		
10920	2600	1651	16.40	1731	18.50	1811	20.80														
11760	2800	1692	17.90	1768	20.10	1844	22.50														
12600	3000	1737	19.60	1810	21.90	1882	24.40														
13440	3200	1785	21.40	1856	23.90																
14280	3400	1837	23.30																		
15120	3600	1890	25.40																		

Underlined figures in columns approximate Max. Static Efficiency and Quietest Selection. CL. I □ CL. II □
 The standard AMCA class range is shown by the shaded areas. Standard carbon steel fans may be used up to the Maximum Design RPM as listed above for each fan class.
 If the Maximum Safe Operating RPM is not shown, consult the factory.
Performance shown is for installation Type B - Free Inlet, Ducted Outlet.
Power rating (BHP) does not include transmission losses. Performance ratings do not include the effects of appurtenances (accessories).
All capacities listed above are based on standard Air Density of 0.075 Lbs./Cu. Ft. at 70°F & 0 Ft. elevation (1.2 kg/m³ at 21.1°C & 0 m).

MAXIMUM CLASS OPERATING RPM
FAN TEMPERATURE

SINGLE WIDTH
SINGLE INLET

SIZE 3030

SIZE 3030	-20° to 300°F -29° to 149°C
CLASS I	1271
CLASS II	1659

Wheel Diameter	30.00 inches	762 mm
Wheel Circumference	7.85 feet	2.393 m
Inlet Diameter/Area	32.5 inches dia./5.76 sq. ft.	825 mm/.5351 m ²
Outlet Size/Area	31.42 x 23.48 inches I.D./5.12 sq. ft.	798 x 596 mm/.4757 m ²
Tip Speed	7.85 x RPM ft./minute	2.393 x RPM m/minute
Maximum BHP	6.55 x (RPM ÷ 1000) ³ BHP	4.884 x (RPM ÷ 1000) ³ kW

VOL CFM	OV FPM	¼" SP		¾" SP		1½" SP		2" SP		2½" SP		3" SP		3½" SP		4" SP		4½" SP		5" SP		5½" SP		6" SP		6½" SP			
		RPM	BHP	RPM	BHP	RPM	BHP	RPM	BHP	RPM	BHP	RPM	BHP	RPM	BHP	RPM	BHP	RPM	BHP	RPM	BHP	RPM	BHP	RPM	BHP	RPM	BHP		
4104	800	344	0.27	377	0.35	408	0.43	440	0.53	468	0.62	499	0.72	527	0.82	512	0.82	538	0.93										
4617	900	370	0.33	400	0.42	429	0.51	457	0.61	484	0.71	512	0.82	538	0.93	512	0.82	538	0.93										
5130	1000	398	0.40	426	0.51	452	0.61	479	0.72	504	0.82	529	0.93	553	1.05	601	1.29	647	1.54	601	1.29	647	1.54	601	1.29	647	1.54	701	1.97
5643	1100	428	0.49	452	0.60	478	0.72	502	0.83	524	0.94	549	1.07	572	1.19	616	1.44	659	1.70	616	1.44	659	1.70	616	1.44	659	1.70	714	2.17
6156	1200	457	0.59	481	0.71	504	0.83	527	0.96	549	1.08	570	1.21	592	1.34	633	1.60	674	1.88	633	1.60	674	1.88	633	1.60	674	1.88	728	2.37
6669	1300	488	0.71	510	0.84	532	0.97	553	1.10	573	1.23	594	1.37	613	1.50	653	1.79	691	2.08	653	1.79	691	2.08	653	1.79	691	2.08	746	2.61
7182	1400	519	0.84	539	0.98	559	1.12	579	1.26	599	1.41	618	1.55	637	1.69	674	1.99	710	2.30	674	1.99	710	2.30	674	1.99	710	2.30	765	2.87
7695	1500	550	0.99	570	1.14	588	1.29	607	1.44	625	1.59	644	1.75	661	1.89	697	2.22	732	2.54	697	2.22	732	2.54	697	2.22	732	2.54	786	3.14
8208	1600	581	1.16	600	1.32	618	1.48	636	1.64	653	1.80	670	1.96	687	2.12	720	2.45	753	2.79	720	2.45	753	2.79	720	2.45	753	2.79	807	3.43
8721	1700	613	1.35	631	1.52	648	1.69	665	1.86	681	2.02	698	2.20	714	2.37	745	2.71	777	3.07	745	2.71	777	3.07	745	2.71	777	3.07	830	3.74
9234	1800	645	1.56	661	1.73	678	1.91	694	2.09	710	2.27	725	2.45	741	2.63	771	3.00	801	3.37	771	3.00	801	3.37	771	3.00	801	3.37	854	4.09
9747	1900	678	1.79	694	1.98	709	2.17	724	2.35	739	2.54	754	2.73	769	2.93	798	3.31	826	3.69	798	3.31	826	3.69	798	3.31	826	3.69	884	4.45
10260	2000	711	2.06	725	2.24	740	2.44	754	2.63	769	2.84	782	3.02	797	3.23	824	3.62	852	4.04	824	3.62	852	4.04	824	3.62	852	4.04	909	4.81
11286	2200	776	2.64	790	2.86	803	3.07	816	3.29	829	3.50	842	3.71	855	3.93	881	4.38	906	4.82	881	4.38	906	4.82	881	4.38	906	4.82	931	5.27
12312	2400	842	3.35	854	3.57	866	3.80	879	4.05	891	4.28	903	4.51	915	4.75	939	5.23	962	5.70	939	5.23	962	5.70	939	5.23	962	5.70	985	6.18
13338	2600	908	4.17	920	4.42	931	4.67	942	4.92	953	5.17	965	5.43	976	5.69	998	6.20	1020	6.72	998	6.20	1020	6.72	998	6.20	1020	6.72	1041	7.22
14364	2800	974	5.11	986	5.40	996	5.66	1007	5.94	1017	6.21	1028	6.49	1038	6.76	1058	7.29	1079	7.85	1058	7.29	1079	7.85	1058	7.29	1079	7.85	1099	8.41
15390	3000	1041	6.21	1051	6.49	1062	6.81	1071	7.08	1081	7.37	1091	7.67	1100	7.94	1120	8.55	1139	9.13	1120	8.55	1139	9.13	1120	8.55	1139	9.13	1158	9.73
16416	3200	1108	7.45	1118	7.78	1127	8.07	1137	8.40	1145	8.68	1155	9.01	1164	9.32	1182	9.93	1200	10.60	1182	9.93	1200	10.60	1182	9.93	1200	10.60	1218	11.20
17442	3400	1175	8.85	1184	9.19	1193	9.52	1202	9.86	1211	10.20	1219	10.50	1228	10.80	1245	11.50	1262	12.20	1245	11.50	1262	12.20	1245	11.50	1262	12.20	1279	12.80
18468	3600	1243	10.50	1251	10.80	1259	11.10	1267	11.50	1276	11.80	1284	12.20	1292	12.50	1308	13.20	1325	13.90	1308	13.20	1325	13.90	1308	13.20	1325	13.90	1341	14.60
19494	3800	1310	12.20	1318	12.60	1325	12.90	1333	13.30	1341	13.70	1349	14.00	1357	14.40	1372	15.10	1387	15.80	1372	15.10	1387	15.80	1372	15.10	1387	15.80	1403	16.60
20520	4000	1377	14.10	1385	14.50	1392	14.90	1400	15.30	1407	15.70	1415	16.10	1422	16.50	1437	17.20	1451	18.00	1437	17.20	1451	18.00	1437	17.20	1451	18.00	1466	18.80
21546	4200	1445	16.30	1452	16.70	1459	17.10	1466	17.50	1473	17.90	1480	18.30	1487	18.70	1501	19.50	1516	20.40	1501	19.50	1516	20.40	1501	19.50	1516	20.40	1529	21.20
22572	4400	1512	18.70	1519	19.10	1526	19.50	1533	19.90	1539	20.30	1546	20.80	1553	21.20	1567	22.10	1580	22.90	1567	22.10	1580	22.90	1567	22.10	1580	22.90	1593	23.70
23598	4600	1579	21.20	1586	21.70	1593	22.10	1599	22.60	1606	23.00	1612	23.40	1619	23.90	1632	24.80	1645	25.70	1632	24.80	1645	25.70	1632	24.80	1645	25.70	1657	26.60
24624	4800	1647	24.00	1654	24.50																								

VOL CFM	OV FPM	2" SP		2½" SP		3" SP		3½" SP		4" SP		4½" SP		5" SP		5½" SP		6" SP		6½" SP	
		RPM	BHP	RPM	BHP	RPM	BHP	RPM	BHP	RPM	BHP	RPM	BHP	RPM	BHP	RPM	BHP	RPM	BHP	RPM	BHP
6156	1200	752	2.46																		
6669	1300	766	2.69	837	3.34																
7182	1400	781	2.94	849	3.61	914	4.30														
7695	1500	799	3.21	862	3.89	925	4.62														
8208	1600	817	3.49	879	4.22	939	4.97	997	5.75												
8721	1700	837	3.79	897	4.56	954	5.34	1010	6.15	1064	6.97										
9234	1800	859	4.13	916	4.92	971	5.73	1024	6.55	1077	7.42	1129	8.32								
9747	1900	882	4.49	937	5.32	990	6.16	1041	7.02	1091	7.89	1141	8.81	1190	9.75	1237	10.70				
10260	2000	906	4.88	958	5.72	1009	6.60	1059	7.49	1108	8.42	1156	9.35	1203	10.30	1249	11.30	1294	12.30		
11286	2200	956	5.72	1004	6.63	1052	7.58	1098	8.53	1144	9.52	1188	10.50	1233	11.50	1276	12.60	1319	13.60	1361	14.70
12312	2400	1008	6.67	1054	7.68	1098	8.68	1141	9.69	1184	10.70	1226	11.80	1267	12.80	1308	13.90	1349	15.10	1388	16.20
13338	2600	1063	7.76	1105	8.81	1146	9.87	1187	11.00	1228	12.10	1267	13.20	1307	14.40	1345	15.50	1383	16.70	1421	17.90
14364	2800	1119	8.96	1159	10.10	1198	11.20	1237	12.40	1275	13.60	1312	14.80	1349	16.00	1385	17.20	1421	18.40	1458	19.70
15390	3000	1177	10.30	1214	11.50	1251	12.70	1287	13.90	1324	15.20	1359	16.50	1394	17.70	1429	19.00	1463	20.30	1497	21.60
16416	3200	1236	11.80	1271	13.10	1306	14.40	1341	15.70	1375	17.00	1408	18.30	1442	19.70	1475	21.00	1508	22.4		

MAXIMUM CLASS OPERATING RPM
FAN TEMPERATURE

SINGLE WIDTH
SINGLE INLET

SIZE 3037

SIZE 3037	-20° to 300°F -29° to 149°C
CLASS I	1049
CLASS II	1368

Wheel Diameter	36.50 inches	927 mm
Wheel Circumference	9.56 feet	2.914 m
Inlet Diameter/Area	39.0 inches dia./8.30 sq. ft.	991 mm/.7711 m ²
Outlet Size/Area	38.29 x 28.73 inches I.D./7.64 sq. ft.	973 x 730 mm/.7098 m ²
Tip Speed	9.56 x RPM ft./minute	2.914 x RPM m/minute
Maximum BHP	17.36 x (RPM ÷ 1000) ³ BHP	12.95 x (RPM ÷ 1000) ³ kW

VOL CFM	OV FPM	¼" SP		½" SP		¾" SP		1" SP		1 ¼" SP		1 ½" SP		1 ¾" SP	
		RPM	BHP	RPM	BHP	RPM	BHP	RPM	BHP	RPM	BHP	RPM	BHP	RPM	BHP
6104	800	283	0.40	310	0.52	336	0.65	362	0.79	385	0.92	410	1.07	433	1.22
6867	900	305	0.49	330	0.63	354	0.77	377	0.92	399	1.06	421	1.22	443	1.38
7630	1000	328	0.60	351	0.75	373	0.91	395	1.07	415	1.23	436	1.40	456	1.57
8393	1100	352	0.73	373	0.90	393	1.06	413	1.23	433	1.41	451	1.58	471	1.77
9156	1200	377	0.89	397	1.07	415	1.24	434	1.43	451	1.60	470	1.81	488	2.00
9919	1300	403	1.07	421	1.26	438	1.45	455	1.64	472	1.84	489	2.04	505	2.24
10682	1400	428	1.26	444	1.46	461	1.67	478	1.89	494	2.10	509	2.31	524	2.52
11445	1500	454	1.49	470	1.71	486	1.94	501	2.16	515	2.37	531	2.61	545	2.83
12208	1600	480	1.74	495	1.97	509	2.20	524	2.44	539	2.69	553	2.93	566	3.16
12971	1700	507	2.03	521	2.28	535	2.53	548	2.77	562	3.03	575	3.28	588	3.53
13734	1800	533	2.34	547	2.61	560	2.87	572	3.12	586	3.41	598	3.66	610	3.92
14497	1900	560	2.69	572	2.96	585	3.24	597	3.51	610	3.81	622	4.08	634	4.37
15260	2000	586	3.06	599	3.37	610	3.64	622	3.94	634	4.24	646	4.54	657	4.83
16786	2200	641	3.97	652	4.29	663	4.61	673	4.91	684	5.23	695	5.57	706	5.90
18312	2400	695	5.01	705	5.35	715	5.70	725	6.04	735	6.40	745	6.75	755	7.11
19838	2600	750	6.25	760	6.65	769	7.01	778	7.38	787	7.75	796	8.12	805	8.50
21364	2800	805	7.68	813	8.06	823	8.52	830	8.86	839	9.28	848	9.70	856	10.10
22890	3000	860	9.32	868	9.75	876	10.20	884	10.60	892	11.00	900	11.50	908	11.90
24416	3200	915	11.20	923	11.70	931	12.10	938	12.60	946	13.10	953	13.50	961	14.00
25942	3400	970	13.30	978	13.80	985	14.30	992	14.80	999	15.20	1006	15.70	1014	16.30
27468	3600	1026	15.70	1033	16.20	1039	16.70	1047	17.20	1053	17.70	1060	18.30	1067	18.80
28994	3800	1082	18.30	1088	18.80	1094	19.40	1101	19.90	1107	20.50	1114	21.00	1120	21.60
30520	4000	1137	21.20	1144	21.80	1150	22.40	1156	23.00	1161	23.50	1168	24.10	1174	24.70
32046	4200	1193	24.50	1199	25.10	1205	25.70	1211	26.30	1216	26.90	1222	27.50	1228	28.10
33572	4400	1249	28.00	1254	28.60	1260	29.30	1266	29.90	1271	30.50	1277	31.20	1282	31.80
35098	4600	1305	31.90	1310	32.60	1315	33.20	1321	33.90	1326	34.50	1331	35.20	1337	35.90
36624	4800	1360	36.10	1366	36.80										

VOL CFM	OV FPM	2" SP		2 ½" SP		3" SP		3 ½" SP		4" SP		4 ½" SP		5" SP		5 ½"		6" SP		6 ½" SP	
		RPM	BHP	RPM	BHP	RPM	BHP	RPM	BHP	RPM	BHP	RPM	BHP	RPM	BHP	RPM	BHP	RPM	BHP	RPM	BHP
9156	1200	619	3.66																		
9919	1300	630	4.01	688	4.95																
10682	1400	643	4.38	698	5.36	752	6.41														
11445	1500	657	4.77	710	5.80	761	6.88														
12208	1600	673	5.20	723	6.27	772	7.38	820	8.55												
12971	1700	690	5.67	738	6.78	785	7.94	831	9.14												
13734	1800	708	6.17	754	7.33	799	8.53	843	9.77	886	11.00										
14497	1900	727	6.71	771	7.91	815	9.18	857	10.40	898	11.70	929	12.40	970	13.70						
15260	2000	746	7.26	789	8.53	831	9.83	872	11.20	912	12.50	951	13.90	990	15.40	1028	16.80	1065	18.30		
16786	2200	787	8.51	827	9.89	866	11.30	904	12.70	942	14.20	978	15.60	1014	17.10	1050	18.70	1085	20.30	1120	21.90
18312	2400	831	10.00	868	11.40	904	12.90	940	14.40	975	16.00	1010	17.60	1043	19.10	1077	20.80	1110	22.40	1143	24.10
19838	2600	876	11.60	911	13.20	945	14.80	978	16.40	1012	18.00	1044	19.70	1076	21.40	1108	23.10	1139	24.80	1169	26.60
21364	2800	923	13.40	955	15.10	988	16.80	1019	18.50	1050	20.20	1081	22.00	1111	23.80	1141	25.60	1171	27.50	1200	29.30
22890	3000	971	15.40	1002	17.20	1031	19.00	1061	20.80	1091	22.70	1120	24.60	1149	26.50	1177	28.40	1205	30.30	1233	32.20
24416	3200	1020	17.70	1049	19.60	1077	21.50	1105	23.40	1133	25.40	1161	27.40	1188	29.30	1215	31.30	1242	33.40	1268	35.40
25942	3400	1069	20.20	1096	22.20	1124	24.20	1150	26.20	1177	28.30	1203	30.40	1229	32.40	1255	34.60	1280	36.70	1305	38.80
27468	3600	1120	23.00	1146	25.10	1171	27.20	1197	29.30	1222	31.50	1247	33.70	1272	35.90	1296	38.00	1321	40.30	1345	42.50
28994	3800	1170	25.90	1195	28.20	1220	30.50	1244	32.70	1268	34.90	1292	37.20	1315	39.50	1339	41.80	1362	44.10		
30520	4000	1222	29.30	1246	31.70	1269	34.00	1292	36.30	1315	38.70	1338	41.10	1360	43.40						
32046	4200	1274	32.90	1296	35.30	1319	37.90	1341	40.30	1363	42.80										
33572	4400	1326	36.90	1347	39.40																

VOL CFM	OV FPM	7" SP		8" SP		9" SP		10" SP		11" SP		12" SP		13" SP		14" SP		15" SP		16" SP	
		RPM	BHP	RPM	BHP	RPM	BHP	RPM	BHP	RPM	BHP	RPM	BHP	RPM	BHP	RPM	BHP	RPM	BHP	RPM	BHP
16786	2200	1154	23.50																		
18312	2400	1175	25.80	1238	29.30																
19838	2600	1200	28.40	1260	32.00	1319	35.80														
21364	2800	1228	31.10	1286	35.00	1342	38.90														
22890	3000	1260	34.20	1315	38.20	1368	42.30														
24416	3200	1295	37.50	1347	41.70																
25942	3400	1331	41.00																		

Underlined figures in columns approximate Max. Static Efficiency and Quietest Selection. CL. I □ CL. II □
 The standard AMCA class range is shown by the shaded areas. Standard carbon steel fans may be used up to the Maximum Design RPM as listed above for each fan class.
 If the Maximum Safe Operating RPM is not shown, consult the factory.
 Performance shown is for Installation Type B - Free Inlet, Ducted Outlet.
 Power rating (BHP) does not include transmission losses. Performance ratings do not include the effects of appurtenances (accessories).
 All capacities listed above are based on standard Air Density of 0.075 Lbs./Cu. Ft. at 70°F & 0 Ft. elevation (1.2 kg/m³ at 21.1°C & 0 m).

Blowers and General Ventilation

SILENTVANE™

SIZE 3040

SINGLE WIDTH
SINGLE INLET

MAXIMUM CLASS OPERATING RPM
FAN TEMPERATURE

Wheel Diameter	40.25 inches	1022 mm
Wheel Circumference	10.54 feet	3.213 m
Inlet Diameter/Area	43.5 inches sq./10.31 sq. ft.	1105 mm/9578 m ²
Outlet Size/Area	42.48 x 31.79 inches I.D./9.38 sq. ft.	1079 x 807 mm/8714 m ²
Tip Speed	10.54 x RPM ft./minute	3.211 x RPM m/minute
Maximum BHP	28.45 x (RPM + 1000) ³ BHP	21.22 x (RPM + 1000) ³ kW

SIZE 3040	-20° to 300°F -29° to 149°C
CLASS I	956
CLASS II	1247

VOL CFM	OV FPM	¼" SP		⅜" SP		½" SP		⅝" SP		¾" SP		7/8" SP		1" SP		1 ¼" SP		1 ½" SP		1 ¾" SP	
		RPM	BHP	RPM	BHP	RPM	BHP	RPM	BHP	RPM	BHP	RPM	BHP	RPM	BHP	RPM	BHP	RPM	BHP	RPM	BHP
7480	800	258	0.49	282	0.64	306	0.80	329	0.97	351	1.13	372	1.31	393	1.49						
8415	900	278	0.60	300	0.77	322	0.95	342	1.12	363	1.31	383	1.50	402	1.69						
9350	1000	299	0.74	320	0.93	340	1.12	359	1.31	378	1.51	396	1.71	414	1.92	449	2.34	483	2.80		
10285	1100	322	0.91	340	1.10	359	1.32	377	1.53	394	1.73	411	1.95	428	2.17	461	2.63	492	3.09	524	3.60
11220	1200	344	1.10	362	1.32	378	1.53	395	1.76	412	1.99	428	2.23	443	2.45	474	2.94	504	3.44	533	3.95
12155	1300	367	1.31	383	1.54	400	1.79	414	2.01	430	2.27	445	2.51	460	2.77	489	3.28	518	3.82	545	4.35
13090	1400	390	1.55	406	1.81	420	2.05	435	2.32	449	2.57	464	2.85	478	3.11	505	3.65	532	4.21	558	4.77
14025	1500	414	1.83	428	2.10	443	2.39	456	2.65	470	2.93	484	3.22	497	3.50	522	4.05	548	4.65	573	5.25
14960	1600	438	2.15	452	2.45	465	2.73	478	3.02	491	3.32	503	3.60	516	3.90	541	4.52	565	5.13	589	5.76
15895	1700	462	2.50	475	2.81	488	3.13	500	3.42	512	3.73	524	4.04	536	4.36	560	5.00	583	5.65	605	6.29
16830	1800	487	2.91	499	3.23	510	3.53	522	3.86	534	4.20	545	4.51	557	4.86	579	5.51	601	6.19	623	6.89
17765	1900	511	3.34	523	3.68	534	4.02	545	4.35	556	4.70	567	5.04	578	5.39	599	6.08	620	6.78	641	7.51
18700	2000	536	3.82	547	4.18	557	4.52	568	4.89	578	5.23	589	5.61	599	5.96	620	6.70	640	7.44	660	8.19
20570	2200	585	4.91	595	5.31	605	5.70	615	6.10	624	6.47	634	6.88	644	7.29	662	8.06	681	8.88	700	9.72
22440	2400	635	6.23	644	6.66	653	7.08	662	7.50	671	7.92	680	8.36	689	8.80	706	9.65	724	10.60	740	11.40
24310	2600	685	7.77	694	8.25	702	8.69	710	9.14	718	9.58	727	10.10	735	10.50	751	11.50	767	12.40	783	13.30
26180	2800	735	9.53	743	10.00	751	10.50	758	11.00	766	11.50	774	12.00	782	12.50	797	13.50	812	14.50	827	15.50
28050	3000	785	11.60	793	12.10	800	12.60	808	13.20	815	13.70	822	14.20	829	14.80	844	15.90	857	16.90	872	18.00
29920	3200	836	13.90	843	14.50	850	15.00	857	15.60	863	16.10	870	16.70	877	17.30	890	18.40	904	19.60	917	20.70
31790	3400	887	16.60	893	17.10	900	17.80	906	18.30	913	19.00	919	19.50	925	20.10	938	21.30	950	22.50	963	23.70
33660	3600	938	19.50	944	20.10	950	20.80	956	21.40	962	22.00	968	22.60	974	23.30	986	24.50	998	25.80	1010	27.10
35530	3800	988	22.70	994	23.40	1000	24.10	1006	24.80	1012	25.50	1017	26.10	1023	26.80	1034	28.10	1046	29.50	1057	30.80
37400	4000	1039	26.40	1045	27.10	1050	27.80	1055	28.40	1061	29.20	1067	30.00	1072	30.60	1083	32.00	1094	33.50	1105	34.90
39270	4200	1090	30.40	1095	31.10	1100	31.80	1106	32.60	1111	33.40	1116	34.10	1121	34.80	1132	36.30	1142	37.80	1153	39.40
41140	4400	1141	34.80	1146	35.60	1151	36.40	1156	37.10	1161	37.90	1166	38.70	1171	39.50	1181	41.00	1191	42.60	1201	44.20
43010	4600	1192	39.70	1197	40.50	1202	41.30	1206	42.00	1211	42.90	1216	43.70	1221	44.50	1230	46.10	1240	47.80		
44880	4800	1243	44.90	1247	45.70																

VOL CFM	OV FPM	2" SP		2 ½" SP		3" SP		3 ½" SP		4" SP		4 ½" SP		5" SP		5 ½"		6" SP		6 ½" SP	
		RPM	BHP	RPM	BHP	RPM	BHP	RPM	BHP	RPM	BHP	RPM	BHP	RPM	BHP	RPM	BHP	RPM	BHP	RPM	BHP
11220	1200	562	4.49																		
12155	1300	572	4.90	624	6.05																
13090	1400	584	5.36	634	6.57	682	7.83														
14025	1500	598	5.87	645	7.12	691	8.42	736	9.80												
14960	1600	612	6.39	658	7.72	702	9.08	745	10.50	787	12.00										
15895	1700	628	6.98	671	8.33	713	9.73	755	11.20	795	12.70	835	14.30								
16830	1800	644	7.57	686	9.01	727	10.50	766	12.00	805	13.50	843	15.20	880	16.80						
17765	1900	662	8.26	702	9.74	741	11.30	779	12.80	817	14.50	853	16.10	889	17.80	924	19.50				
18700	2000	680	8.97	718	10.50	756	12.10	793	13.70	829	15.40	864	17.10	899	18.80	933	20.60	967	22.40		
20570	2200	718	10.50	754	12.20	788	13.90	823	15.70	856	17.40	890	19.20	922	21.00	954	22.90	986	24.90	1017	26.80
22440	2400	757	12.30	791	14.10	823	15.90	856	17.80	887	19.70	918	21.60	949	23.50	979	25.50	1009	27.50	1039	29.60
24310	2600	799	14.30	830	16.20	860	18.10	891	20.20	920	22.10	950	24.20	979	26.30	1007	28.30	1036	30.50	1063	32.60
26180	2800	842	16.60	871	18.60	900	20.70	928	22.80	956	24.90	984	27.10	1011	29.30	1038	31.50	1065	33.70	1091	36.00
28050	3000	886	19.10	913	21.30	940	23.40	967	25.70	994	28.00	1020	30.30	1046	32.60	1071	34.90	1097	37.30	1121	39.60
29920	3200	930	21.90	956	24.20	982	26.50	1007	28.90	1033	31.30	1057	33.70	1082	36.10	1106	38.50	1130	41.00	1154	43.50
31790	3400	976	25.00	1000	27.40	1025	29.90	1049	32.40	1073	34.90	1096	37.40	1120	40.00	1143	42.60	1166	45.20	1189	47.80
33660	3600	1022	28.40	1045	31.00	1068	33.60	1091	36.20	1114	38.90	1136	41.50	1159	44.20	1181	46.90	1203	49.60	1225	52.40
35530	3800	1068	32.10	1091	34.90	1112	37.60	1135	40.40	1156	43.10	1178	46.00	1199	48.80	1220	51.60	1241	54.40		
37400	4000	1115	36.30	1136	39.10	1157	41.90	1178	44.80	1199	47.80	1220	50.80	1240	53.60						
39270	4200	1163	40.80	1183	43.80	1203	46.80	1223	49.80	1243	52.80										
41140	4400	1210	45.60	1230	48.80																

VOL CFM	OV FPM	7" SP		8" SP		9" SP		10" SP		11" SP		12" SP		13" SP		14" SP		15" SP		16" SP	
		RPM	BHP	RPM	BHP	RPM	BHP	RPM	BHP	RPM	BHP	RPM	BHP	RPM	BHP	RPM	BHP	RPM	BHP	RPM	BHP
20570	2200	1048	28.80																		
22440	2400	1067	31.60	1124	35.90	1180	40.30														
24310	2600	1091	34.90	1145	39.30	1198	43.90														
26180	2800	1117	38.30	1169	43.																

3000 SERIES

MAXIMUM CLASS OPERATING RPM
FAN TEMPERATURE

SINGLE WIDTH
SINGLE INLET

SIZE 3045

SIZE 3045	-20° to 300°F -29° to 149°C
CLASS I	864
CLASS II	1127

Wheel Diameter	44.50 inches	1130 mm
Wheel Circumference	11.65 feet	3.551 m
Inlet Diameter/Area	47.75 inches sq./12.42 sq. ft.	1213 mm/1.154 m ²
Outlet Size/Area	46.98 x 35.04 inches I.D./11.43 sq. ft.	1193 x 890 mm/1.062 m ²
Tip Speed	11.65 x RPM ft./minute	3.551 x RPM m/minute
Maximum BHP	47.21 x (RPM ÷ 1000) ³ BHP	35.21 x (RPM ÷ 1000) ³ kW

VOL CFM	OV FPM	¼" SP		⅜" SP		½" SP		⅝" SP		¾" SP		7/8" SP		1" SP		1 ¼" SP		1 ½" SP		1 ¾" SP	
		RPM	BHP	RPM	BHP	RPM	BHP	RPM	BHP	RPM	BHP	RPM	BHP	RPM	BHP	RPM	BHP	RPM	BHP	RPM	BHP
9128	800	233	0.59	255	0.78	277	0.98	297	1.17	317	1.38	336	1.59	355	1.81						
10269	900	252	0.74	272	0.95	291	1.15	310	1.37	328	1.59	346	1.82	364	2.07	398	2.56				
11410	1000	271	0.91	288	1.12	307	1.36	324	1.59	341	1.83	358	2.09	374	2.33	406	2.86	437	3.42		
12551	1100	291	1.11	308	1.36	324	1.60	340	1.85	356	2.11	372	2.39	387	2.65	417	3.22	446	3.80	473	4.38
13692	1200	311	1.34	326	1.59	342	1.87	357	2.14	372	2.42	386	2.70	401	3.00	429	3.59	456	4.20	482	4.82
14833	1300	331	1.59	347	1.90	361	2.18	375	2.47	388	2.75	402	3.06	416	3.38	442	4.00	467	4.62	493	5.31
15974	1400	353	1.90	367	2.22	380	2.52	393	2.82	406	3.14	419	3.46	432	3.80	456	4.43	481	5.13	505	5.84
17115	1500	374	2.24	387	2.57	400	2.90	412	3.23	424	3.55	437	3.92	449	4.26	472	4.94	496	5.69	518	6.40
18256	1600	396	2.63	407	2.95	420	3.33	432	3.69	443	4.02	455	4.40	466	4.75	488	5.47	511	6.26	532	7.01
19397	1700	418	3.06	429	3.42	440	3.78	452	4.18	463	4.56	474	4.94	485	5.33	505	6.06	526	6.85	547	7.67
20538	1800	440	3.54	450	3.91	461	4.31	472	4.71	482	5.10	493	5.52	503	5.91	523	6.71	543	7.54	563	8.40
21679	1900	462	4.07	472	4.48	482	4.88	492	5.29	503	5.74	512	6.13	522	6.56	542	7.44	561	8.30	579	9.14
22820	2000	484	4.65	494	5.09	504	5.53	513	5.94	523	6.40	532	6.82	542	7.29	560	8.16	578	9.05	597	10.00
25102	2200	529	6.01	537	6.44	547	6.96	555	7.41	564	7.90	573	8.39	581	8.85	598	9.81	615	10.80	632	11.80
27384	2400	574	7.61	581	8.06	590	8.62	598	9.14	606	9.65	614	10.20	622	10.70	638	11.80	654	12.80	669	13.90
29666	2600	619	9.47	626	10.00	634	10.60	641	11.10	649	11.70	656	12.20	664	12.80	679	14.00	693	15.10	707	16.20
31948	2800	664	11.60	671	12.20	678	12.80	685	13.40	692	14.00	699	14.60	706	15.20	720	16.50	733	17.70	747	18.90
34230	3000	710	14.10	716	14.70	723	15.40	729	16.00	736	16.70	742	17.30	749	18.00	762	19.30	775	20.60	787	21.90
36512	3200	755	16.90	761	17.60	768	18.30	774	19.00	780	19.70	786	20.40	792	21.00	804	22.40	817	23.90	829	25.30
38794	3400	801	20.10	807	20.90	812	21.50	818	22.30	824	23.00	830	23.80	836	24.50	847	25.90	858	27.40	870	28.90
41076	3600	847	23.70	852	24.40	858	25.30	863	26.00	869	26.80	874	27.50	880	28.40	891	29.90	901	31.40	912	33.00
43358	3800	893	27.80	898	28.50	903	29.30	908	30.10	913	30.90	919	31.80	924	32.60	934	34.20	944	35.80	955	37.50
45640	4000	938	32.10	943	32.90	948	33.80	953	34.70	958	35.50	963	36.40	968	37.20	978	39.00	988	40.70	998	42.50
47922	4200	984	37.00	989	37.90	994	38.80	999	39.70	1003	40.60	1008	41.50	1013	42.40	1022	44.20	1032	46.10	1041	47.90
50204	4400	1030	42.30	1035	43.30	1039	44.20	1044	45.20	1049	46.20	1053	47.10	1057	47.90	1067	50.00	1075	51.70	1084	53.70
52486	4600	1076	48.20	1081	49.20	1085	50.20	1089	51.10	1094	52.20	1098	53.10	1102	54.10	1111	56.10	1120	58.20		
54768	4800	1123	54.70	1127	55.70																

VOL CFM	OV FPM	2" SP		2 ½" SP		3" SP		3 ½" SP		4" SP		4 ½" SP		5" SP		5 ½" SP		6" SP		6 ½" SP	
		RPM	BHP	RPM	BHP	RPM	BHP	RPM	BHP	RPM	BHP	RPM	BHP	RPM	BHP	RPM	BHP	RPM	BHP	RPM	BHP
13692	1200	508	5.47																		
14833	1300	517	5.98	565	7.41																
15974	1400	528	6.54	573	8.01	617	9.56														
17115	1500	540	7.14	584	8.72	625	10.30	666	12.00												
18256	1600	553	7.79	594	9.38	635	11.10	673	12.80	711	14.60										
19397	1700	567	8.48	607	10.20	645	11.90	682	13.70	719	15.50	755	17.40								
20538	1800	582	9.23	620	11.00	657	12.80	693	14.60	728	16.50	762	18.50	796	20.50						
21679	1900	598	10.10	634	11.90	670	13.80	704	15.60	738	17.60	772	19.70	804	21.70	836	23.80				
22820	2000	614	10.90	649	12.80	683	14.70	717	16.80	749	18.70	781	20.80	813	23.00	844	25.20	874	27.30		
25102	2200	648	12.80	681	14.90	712	16.90	744	19.10	774	21.20	804	23.40	833	25.60	863	28.00	891	30.30	919	32.70
27384	2400	685	15.00	714	17.10	744	19.40	773	21.70	802	24.00	830	26.30	858	28.70	885	31.10	912	33.60	939	36.10
29666	2600	722	17.40	750	19.80	778	22.20	805	24.60	832	27.00	858	29.50	885	32.10	911	34.70	936	37.20	961	39.80
31948	2800	760	20.10	787	22.70	813	25.20	839	27.80	864	30.40	889	33.00	914	35.70	938	38.40	962	41.10	986	43.80
34230	3000	800	23.20	825	25.90	849	28.50	874	31.30	898	34.10	921	36.80	945	39.70	968	42.50	991	45.40	1014	48.30
36512	3200	840	26.60	864	29.50	887	32.30	910	35.20	933	38.10	955	41.00	977	43.90	1000	47.10	1021	50.00	1043	53.10
38794	3400	881	30.40	904	33.50	926	36.50	948	39.50	969	42.50	990	45.60	1012	48.80	1033	51.90	1054	55.10	1074	58.20
41076	3600	923	34.60	944	37.70	965	40.90	986	44.10	1006	47.30	1027	50.60	1047	53.90	1067	57.20	1087	60.50	1107	63.90
43358	3800	965	39.20	985	42.50	1005	45.80	1025	49.20	1045	52.60	1064	56.00	1083	59.40	1102	62.80	1121	66.30		
45640	4000	1007	44.10	1026	47.60	1046	51.20	1065	54.80	1083	58.20	1102	61.80	1120	65.30						
47922	4200	1050	49.60	1069	53.40	1087	57.00	1105	60.70	1123	64.40										
50204	4400	1093	55.60	1111	59.40																

VOL CFM	OV FPM	7" SP		8" SP		9" SP		10" SP		11" SP		12" SP		13" SP		14" SP		15" SP		16" SP	
		RPM	BHP	RPM	BHP	RPM	BHP	RPM	BHP	RPM	BHP	RPM	BHP	RPM	BHP	RPM	BHP	RPM	BHP	RPM	BHP
25102	2200	947	35.10																		
27384	2400	965	38.60	1017	43.90	1067	49.20														
29666	2600	986	42.50	1035	47.90	1083	53.50														
31948	2800	1010	46.70	1057	52.50	1102															

SILENTVANE™

SIZE 3049

SINGLE WIDTH
SINGLE INLET

MAXIMUM CLASS OPERATING RPM
FAN TEMPERATURE

Wheel Diameter	49.00 inches	1245 mm
Wheel Circumference	12.83 feet	3.911 m
Inlet Diameter/Area	52.5 inches sq./15.02 sq. ft.	1334 mm/1.395 m ²
Outlet Size/Area	51.67 x 38.79 inches I.D./13.92 sq. ft.	1312 x 985 mm/1.293 m ²
Tip Speed	12.83 x RPM ft./minute	3.909 x RPM m/minute
Maximum BHP	76.34 x (RPM ÷ 1000) ³ BHP	56.93 x (RPM ÷ 1000) ³ kW

SIZE 3049	-20° to 300°F -29° to 149°C
CLASS I	788
CLASS II	1028

VOL CFM	OV FPM	½" SP		¾" SP		1" SP		1 ¼" SP		1 ½" SP		1 ¾" SP									
		RPM	BHP	RPM	BHP	RPM	BHP	RPM	BHP	RPM	BHP	RPM	BHP								
11128	800	212	0.72	232	0.95	252	1.19	270	1.43	289	1.70	306	1.95	323	2.22						
12519	900	229	0.90	247	1.15	265	1.41	281	1.66	299	1.95	315	2.23	331	2.52	362	3.13				
13910	1000	247	1.12	263	1.38	280	1.67	296	1.97	311	2.25	326	2.55	340	2.84	370	3.51	397	4.16		
15301	1100	265	1.36	280	1.65	296	1.97	310	2.27	324	2.58	338	2.90	352	3.23	379	3.92	405	4.62	431	5.37
16692	1200	284	1.65	298	1.97	312	2.30	326	2.64	339	2.97	352	3.31	365	3.66	390	4.38	414	5.10	439	5.90
18083	1300	302	1.95	316	2.31	329	2.67	341	3.01	354	3.38	367	3.77	379	4.14	403	4.91	426	5.68	448	6.46
19474	1400	322	2.34	334	2.70	346	3.07	359	3.48	370	3.84	382	4.25	393	4.63	416	5.45	438	6.28	459	7.11
20865	1500	341	2.74	353	3.15	365	3.57	376	3.97	387	4.37	398	4.79	409	5.21	430	6.05	451	6.93	472	7.85
22256	1600	361	3.22	372	3.64	383	4.08	394	4.52	404	4.94	414	5.36	425	5.83	445	6.72	465	7.64	484	8.55
23647	1700	381	3.75	392	4.22	402	4.67	412	5.12	422	5.58	432	6.05	442	6.53	461	7.46	480	8.43	498	9.38
25038	1800	401	4.34	411	4.82	421	5.31	430	5.77	440	6.27	449	6.74	458	7.22	477	8.24	495	9.25	513	10.30
26429	1900	421	4.98	431	5.51	440	6.01	449	6.50	458	7.01	467	7.53	476	8.05	493	9.06	511	10.20	528	11.20
27820	2000	442	5.73	450	6.22	459	6.76	468	7.30	477	7.85	485	8.36	493	8.87	511	10.00	527	11.10	543	12.20
30602	2200	482	7.35	490	7.92	498	8.49	507	9.13	515	9.72	522	10.30	530	10.90	546	12.10	561	13.30	576	14.50
33384	2400	523	9.30	531	10.00	538	10.60	546	11.20	553	11.90	560	12.50	567	13.10	582	14.40	596	15.70	610	17.00
36166	2600	565	11.70	572	12.30	579	13.00	585	13.60	592	14.40	599	15.10	605	15.70	619	17.10	632	18.50	645	19.90
38948	2800	606	14.30	613	15.10	619	15.80	626	16.60	631	17.20	638	18.00	644	18.70	657	20.20	669	21.70	681	23.20
41730	3000	648	17.40	654	18.20	660	18.90	666	19.70	671	20.40	677	21.20	683	22.10	695	23.70	706	25.20	718	26.90
44512	3200	689	20.80	695	21.70	701	22.50	706	23.30	712	24.20	717	25.00	723	25.90	734	27.60	745	29.30	756	31.00
47294	3400	731	24.80	737	25.70	742	26.60	747	27.40	752	28.30	757	29.20	763	30.20	773	31.90	783	33.70	794	35.60
50076	3600	773	29.20	778	30.10	783	31.10	788	32.00	793	33.00	798	33.90	803	34.90	813	36.80	822	38.60	832	40.50
52858	3800	815	34.10	819	35.00	824	36.10	829	37.10	834	38.10	839	39.20	843	40.00	852	42.00	862	44.10	871	46.10
55640	4000	857	39.60	861	40.60	866	41.70	870	42.60	875	43.80	879	44.70	884	45.90	892	47.80	901	50.00	910	52.10
58422	4200	899	45.60	903	46.70	907	47.70	912	48.90	916	50.00	920	51.00	925	52.30	933	54.40	941	56.50	950	58.80
61204	4400	941	52.20	945	53.30	949	54.50	953	55.60	957	56.70	961	57.90	965	59.00	973	61.30	982	63.80	990	66.10
63986	4600	983	59.50	987	60.70	991	61.90	995	63.10	999	64.30	1002	65.30	1006	66.60	1014	69.00	1022	71.50		
66768	4800	1025	67.30																		

VOL CFM	OV FPM	2" SP		2 ½" SP		3" SP		3 ¼" SP		4" SP		4 ¼" SP		5" SP		5 ½" SP		6" SP		6 ¾" SP	
		RPM	BHP	RPM	BHP	RPM	BHP	RPM	BHP	RPM	BHP	RPM	BHP	RPM	BHP	RPM	BHP	RPM	BHP	RPM	BHP
16692	1200	462	6.68																		
18083	1300	471	7.33	513	9.01																
19474	1400	481	8.02	521	9.77	561	11.70														
20865	1500	491	8.70	530	10.60	568	12.50	605	14.60												
22256	1600	503	9.50	541	11.50	577	13.50	612	15.60	646	17.70										
23647	1700	517	10.40	552	12.40	587	14.50	621	16.70	654	19.00	686	21.30								
25038	1800	530	11.30	564	13.40	598	15.60	630	17.80	662	20.20	693	22.50	724	25.00						
26429	1900	545	12.30	577	14.50	609	16.70	641	19.10	671	21.50	702	24.00	731	26.50	760	29.10				
27820	2000	559	13.30	591	15.70	622	18.00	652	20.40	682	22.90	710	25.40	739	28.00	767	30.60	795	33.40		
30602	2200	591	15.70	620	18.20	649	20.70	677	23.30	704	25.90	732	28.70	758	31.30	784	34.10	811	37.10	836	39.90
33384	2400	624	18.40	651	21.00	678	23.80	704	26.50	730	29.30	755	32.10	780	35.00	805	38.00	830	41.10	854	44.10
36166	2600	658	21.40	683	24.20	708	27.00	733	30.00	758	33.10	781	36.00	805	39.10	829	42.30	851	45.30	875	48.70
38948	2800	693	24.70	717	27.70	741	30.90	764	34.00	787	37.20	810	40.40	832	43.60	854	46.90	876	50.20	898	53.70
41730	3000	730	28.60	752	31.70	774	35.00	796	38.30	818	41.70	839	45.00	860	48.40	882	52.10	902	55.40	923	59.10
44512	3200	766	32.60	788	36.20	809	39.70	829	43.00	850	46.70	870	50.20	890	53.80	911	57.60	930	61.10	950	65.00
47294	3400	804	37.30	824	41.00	844	44.70	864	48.40	883	52.00	903	55.90	922	59.70	941	63.50	960	67.40	978	71.20
50076	3600	842	42.50	861	46.30	880	50.20	899	54.10	918	58.10	936	62.00	954	65.90	972	69.90	990	74.00	1008	78.10
52858	3800	880	48.00	898	52.00	917	56.30	934	60.20	952	64.40	970	68.60	987	72.70	1005	77.10	1022	81.20		
55640	4000	919	54.30	936	58.40	954	62.80	971	67.10	988	71.40	1005	75.80	1021	80.00						
58422	4200	958	61.00	975	65.50	991	69.90	1008	74.50	1024	79.00										
61204	4400	998	68.40	1013	72.90																

VOL CFM	OV FPM	7" SP		8" SP		9" SP		10" SP		11" SP		12" SP		13" SP		14" SP		15" SP		16" SP	
		RPM	BHP	RPM	BHP	RPM	BHP	RPM	BHP	RPM	BHP	RPM	BHP	RPM	BHP	RPM	BHP	RPM	BHP	RPM	BHP
30602	2200	861	42.80																		
33384	2400	878	47.20	925	53.60	970	60.00														
36166	2600	897	51.90	941	58.40	985	65.40	1027	72.20												
38948	2800	919	57.00	961	63.90	1002	71.00														
41730	3000	943	62.60	983	69.80	1023	77.40														

3000 SERIES

MAXIMUM CLASS OPERATING RPM
FAN TEMPERATURE

SINGLE WIDTH
SINGLE INLET

SIZE 3054

SIZE 3054	-20° to 300°F -29° to 149°C
CLASS I	709
CLASS II	925

Wheel Diameter	54.25 inches	1378 mm
Wheel Circumference	14.20 feet	4.328 m
Inlet Diameter/Area	58.25 inches sq./18.49 sq. ft.	1480 mm/1.718 m ²
Outlet Size/Area	57.29 x 42.79 inches I.D./17.03 sq. ft.	1455 x 1087 mm/1.582 m ²
Tip Speed	14.20 x RPM ft./minute	4.328 x RPM m/minute
Maximum BHP	126.8 x (RPM ÷ 1000) ³ BHP	94.56 x (RPM ÷ 1000) ³ kW

VOL CFM	OV FPM	1/4" SP		3/8" SP		1/2" SP		5/8" SP		3/4" SP		7/8" SP		1" SP		1 1/4" SP		1 1/2" SP		1 3/4" SP	
		RPM	BHP	RPM	BHP	RPM	BHP	RPM	BHP	RPM	BHP	RPM	BHP	RPM	BHP	RPM	BHP	RPM	BHP	RPM	BHP
13584	800	191	0.88	209	1.15	227	1.45	244	1.75	260	2.05	276	2.38	291	2.69						
15282	900	206	1.09	223	1.41	239	1.72	254	2.04	270	2.39	284	2.71	298	3.06	327	3.83				
16980	1000	222	1.35	237	1.68	252	2.03	266	2.37	280	2.73	294	3.11	307	3.48	333	4.25	359	5.10		
18678	1100	239	1.66	252	2.00	266	2.38	279	2.75	292	3.14	305	3.54	318	3.96	342	4.78	365	5.62	388	6.50
20376	1200	255	1.98	268	2.38	280	2.76	293	3.19	305	3.60	317	4.02	329	4.46	352	5.35	374	6.24	396	7.20
22074	1300	272	2.37	284	2.80	296	3.24	308	3.69	319	4.12	330	4.56	341	5.01	363	5.96	384	6.92	405	7.93
23772	1400	289	2.81	301	3.29	312	3.75	323	4.22	334	4.71	344	5.16	355	5.67	375	6.64	395	7.66	414	8.67
25470	1500	307	3.33	318	3.83	328	4.31	338	4.79	348	5.29	359	5.85	368	6.32	387	7.34	407	8.47	425	9.52
27168	1600	325	3.91	335	4.43	345	4.96	355	5.51	364	6.01	373	6.52	383	7.10	401	8.18	419	9.30	437	10.50
28866	1700	343	4.55	352	5.09	362	5.68	371	6.22	380	6.78	389	7.35	398	7.93	415	9.06	432	10.20	449	11.40
30564	1800	361	5.27	370	5.85	379	6.45	387	6.99	396	7.61	405	8.23	413	8.81	429	10.00	446	11.30	462	12.50
32262	1900	379	6.05	388	6.69	396	7.29	404	7.88	413	8.56	421	9.18	429	9.80	445	11.10	460	12.30	476	13.70
33960	2000	397	6.91	405	7.55	413	8.19	421	8.85	429	9.51	437	10.20	445	10.90	460	12.20	475	13.50	490	14.90
37356	2200	434	8.92	441	9.61	449	10.40	456	11.10	463	11.80	470	12.50	477	13.20	491	14.60	505	16.10	519	17.60
40752	2400	471	11.30	478	12.10	485	12.90	491	13.60	498	14.40	504	15.10	511	16.00	524	17.50	537	19.10	549	20.70
44148	2600	508	14.10	514	14.90	521	15.80	527	16.60	533	17.40	539	18.30	545	19.10	557	20.80	569	22.50	581	24.20
47544	2800	545	17.30	551	18.20	557	19.10	562	19.90	568	20.90	574	21.80	580	22.70	591	24.50	602	26.30	613	28.10
50940	3000	583	21.10	588	22.00	594	23.00	599	23.90	604	24.80	610	25.90	615	26.80	626	28.80	636	30.70	647	32.70
54336	3200	620	25.20	625	26.20	631	27.40	635	28.30	640	29.30	646	30.40	651	31.50	660	33.40	670	35.50	680	37.60
57732	3400	658	30.10	663	31.20	668	32.30	672	33.20	677	34.40	682	35.50	686	36.50	696	38.80	705	40.90	714	43.00
61128	3600	695	35.30	700	36.50	704	37.60	709	38.80	713	39.90	718	41.10	722	42.20	731	44.50	740	46.80	749	49.20
64524	3800	733	41.30	737	42.50	742	43.80	746	45.00	750	46.10	754	47.30	759	48.70	767	51.00	776	53.60	784	55.90
67920	4000	771	48.00	775	49.20	779	50.50	783	51.80	787	53.00	791	54.30	795	55.50	803	58.10	811	60.60	819	63.20
71316	4200	809	55.30	812	56.50	816	57.80	820	59.20	824	60.60	828	61.90	832	63.30	840	66.10	847	68.60	855	71.40
74712	4400	846	63.20	850	64.60	854	66.10	858	67.60	861	68.80	865	70.30	869	71.70	876	74.40	883	77.20	890	79.90
78108	4600	884	72.00	888	73.50	891	74.80	895	76.40	898	77.70	902	79.30	905	80.70	913	83.90	919	86.50		
81504	4800	922	81.50	925	82.90																

VOL CFM	OV FPM	2" SP		2 1/2" SP		3" SP		3 1/2" SP		4" SP		4 1/2" SP		5" SP		5 1/2" SP		6" SP		6 1/2" SP	
		RPM	BHP	RPM	BHP	RPM	BHP	RPM	BHP	RPM	BHP	RPM	BHP	RPM	BHP	RPM	BHP	RPM	BHP	RPM	BHP
20376	1200	417	8.16																		
22074	1300	425	8.94	463	11.00																
23772	1400	433	9.72	470	11.90	506	14.20														
25470	1500	443	10.60	479	13.00	513	15.30	546	17.80												
27168	1600	454	11.60	488	14.00	521	16.50	553	19.10	583	21.60										
28866	1700	465	12.60	498	15.10	530	17.80	560	20.40	590	23.10	619	25.90								
30564	1800	478	13.80	509	16.40	539	19.00	569	21.80	597	24.60	626	27.60	653	30.50						
32262	1900	491	15.00	521	17.70	550	20.50	578	23.30	606	26.30	633	29.20	659	32.20	686	35.50				
33960	2000	504	16.20	533	19.10	561	22.00	588	24.90	615	27.90	641	31.00	667	34.20	692	37.30	717	40.70		
37356	2200	532	19.10	559	22.10	585	25.30	610	28.30	635	31.60	660	34.90	684	38.20	708	41.70	731	45.10	754	48.60
40752	2400	562	22.30	587	25.60	611	28.90	635	32.30	658	35.70	681	39.20	704	42.80	726	46.30	748	49.90	770	53.70
44148	2600	593	26.00	616	29.50	639	33.10	661	36.60	683	40.30	704	43.80	726	47.70	747	51.50	768	55.30	789	59.30
47544	2800	624	30.00	646	33.80	668	37.70	688	41.30	709	45.20	730	49.20	750	53.10	770	57.10	790	61.30	809	65.20
50940	3000	657	34.60	677	38.50	697	42.50	717	46.60	737	50.80	757	55.00	776	59.20	795	63.40	813	67.50	832	71.90
54336	3200	690	39.70	709	43.90	728	48.10	747	52.40	766	56.80	784	61.10	802	65.40	821	70.10	838	74.40	856	79.00
57732	3400	724	45.40	742	49.80	760	54.30	778	58.80	796	63.50	813	67.90	830	72.50	848	77.40	865	82.10	882	86.90
61128	3600	758	51.60	775	56.20	793	61.10	809	65.70	826	70.50	843	75.40	860	80.40	876	85.20	892	90.00	908	95.00
64524	3800	792	58.30	809	63.40	825	68.20	841	73.20	858	78.40	874	83.50	890	88.70	905	93.60	921	98.90		
67920	4000	827	65.80	843	71.00	859	76.40	874	81.50	890	86.90	905	92.20	920	97.40						
71316	4200	862	73.90	878	79.60	892	84.80	907	90.30	922	95.90										
74712	4400	898	83.00	912	88.50																

VOL CFM	OV FPM	7" SP		8" SP		9" SP		10" SP		11" SP		12" SP		13" SP		14" SP		15" SP		16" SP	
		RPM	BHP	RPM	BHP	RPM	BHP	RPM	BHP	RPM	BHP	RPM	BHP	RPM	BHP	RPM	BHP	RPM	BHP	RPM	BHP
37356	2200	777	52.20																		
40752	2400	792	57.60	834	65.20	875	73.10														
44148	2600	809	63.20	850	71.50	889	79.80														
47544	2800	829	69.50	867	78.00	904	86.60														